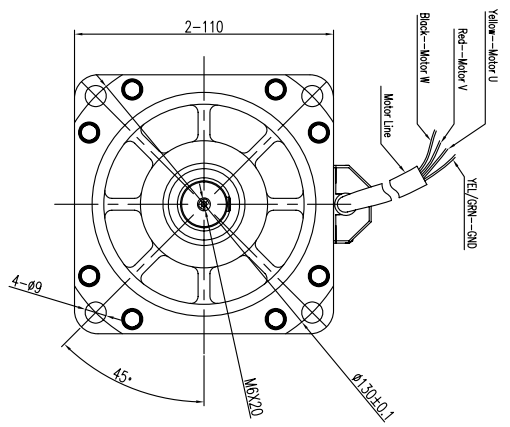
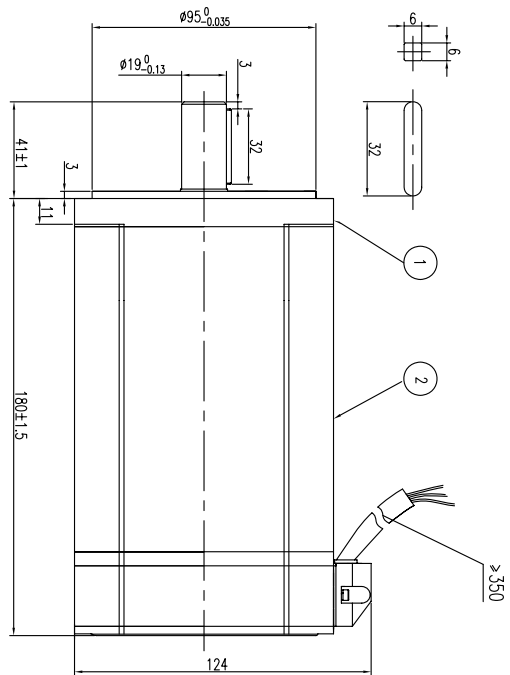


Dimension



Line Define

Power Wire	Motor
Yellow(16AWG)	Motor U
Red(16AWG)	Motor V
Black(16AWG)	Motor W
YEL/GRN(16AWG)	PE

Technical Data

Motor Technical Data	
No. of poles	8
Voltage Line (V <sub>L</sub> )	310
Rated Power P <sub>R</sub> (W)	1880
Rated Torque T <sub>R</sub> (N.m)	6.0
Rated Speed n <sub>R</sub> (rpm)	2200
Rated Current I <sub>R</sub> (A)	8.6
Resistance line-line R <sub>L</sub> (Ω)	TBD
Inductance line-line L <sub>L</sub> (mH)	TBD
Voltage constant K <sub>v</sub> (V/krpm)	42
Torque constant K <sub>t</sub> (Nm/A)	0.695
Rotor moment of inertia J <sub>m</sub> (kg.cm <sup>2</sup> )	8.5
Insulation class	F
Max. radial force F <sub>r</sub> (N)	630
Max. axial force F <sub>a</sub> (N)	315
Weight(Kg)	7.2Kg
Feed back device	N.A.
Cooling method	Totally enclosed non-ventilated
protection level	IP54
Temperature	-20~+40℃
Humidity	Below 90%RH (No dewing)
Environment	For oily active gas, combustible gas, oil drop, ash.
Installation altitude	Up to 1000m rated power, decreasing per 100m, max. 4000m



LABELS  
1  
2

**KINAYO** RESINLESS MOTOR  
K110BL100-310V-50-1880

W	1440	V <sub>c</sub>	310
A	8.6	V <sub>m</sub>	6.0
RPV	2200	I <sub>R</sub>	F

Hideo Sero Motor (Changsha) Ltd. JIS4

S/N: KONLK00YDDDDNNNN

REV	EN NO.	DESCRIPTION	MATERIAL	FIRST ANGLE PROJECTION	SCALE	OF
					SHEET	
UNLESS OTHERWISE SPECIFIED						
TOLERANCES			ANGULAR:			
DECIMALS:			±0.5			
XX			±0.25			
.XXX			±0.1			
UNIT: mm			DO NOT SCALE DRAWING			

DESIGN	DATE	P.N.	TITLE
			外形图
USED ON			K110BL100-310V-22-1440
DWG NO.		REV	A

**KINAYO MOTOR**