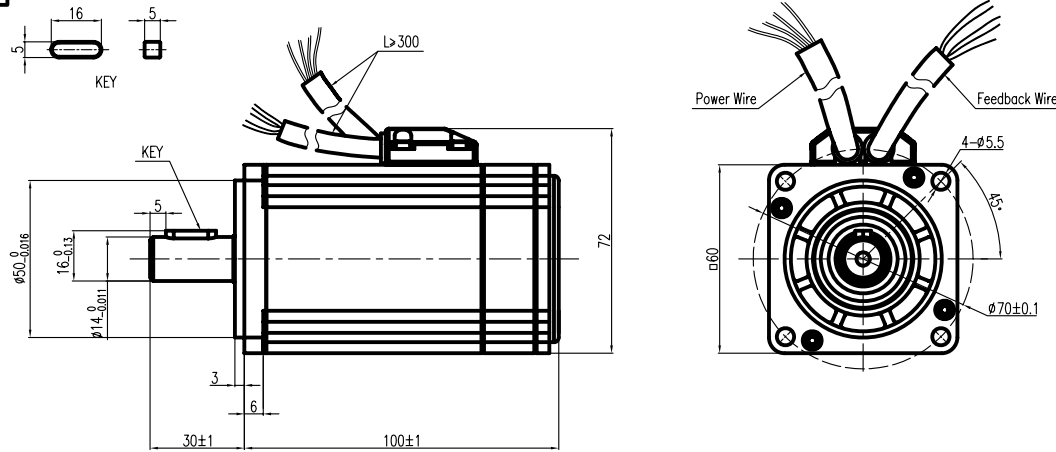


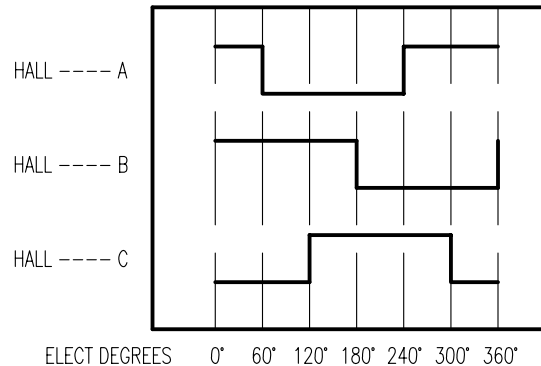
Demension



Tecnichal Data

Motor Technical Data		
No. of poles	8	
Voltage U_{bc} (V)	36	
Rated Power P_N (W)	180	
Rated Torque T_N (N.m)	0.57	
Rated Speed n_n (rpm)	3000	
Rated Current I_N (A)	7.5	
Resistance line-line R_L (Ω)	0.38	
Inductance line-line L_L (mH)	0.92	
Voltage constant K_e (V/krpm)	6	
Torque constant K_t (Nm/A)	0.073	
Rotor moment of inertia J_m (Kg.cm ²)	0.375	
Insulation class	F	
Max. radial force F_r (N)	180	
Max. axial force F_a (N)	90	
Weight(Kg)	1.1Kg	
Feed back device	HALL Sensor(switch)	
Cooling method	Totally enclosed non-ventilated	
protection level	IP54	
Environmental conditions	Temperature	-20℃~40℃
	Humidity	Below 90%RH (No dewing)
	Environment	Far away active gas,combustible gas,oil drop,ash.
	Installation altitude	UP TO 1000m:rated power, above 1000m:1.5% power decreasing per 100m,max.4000m

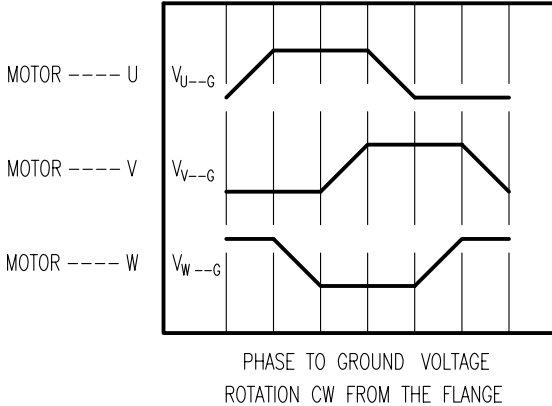
Motor to Hall Relationship



Line Define

Power Wire	
Yellow(16AWG)	Motor U
Red(16AWG)	Motor V
Black(16AWG)	Motor W
YEL/GRN(16AWG)	PE

Feedback Wire	
Red(24AWG)	Vcc +5V
Blue(24AWG)	GND
Gray(28AWG)	Hall A
Green(28AWG)	Hall B
White(28AWG)	Hall C



DESIGN	DATE	P/N.	K3.162.0107SS
REV	ECN NO.	DESCRIPTION	TITLE
			外形图
UNLESS OTHERWISE SPECIFIED TOLERANCES		MATERIAL	CONTR.
DECIMALS: .x ±0.5			
ANGULAR: .xx ±0.25 ±0°30'			
.xxx ±0.1			
UNIT: mm			
DO NOT SCALE DRAWING		FIRST ANGLE PROJECTION	SCALE
			SHEET OF
			KINAVO MOTOR