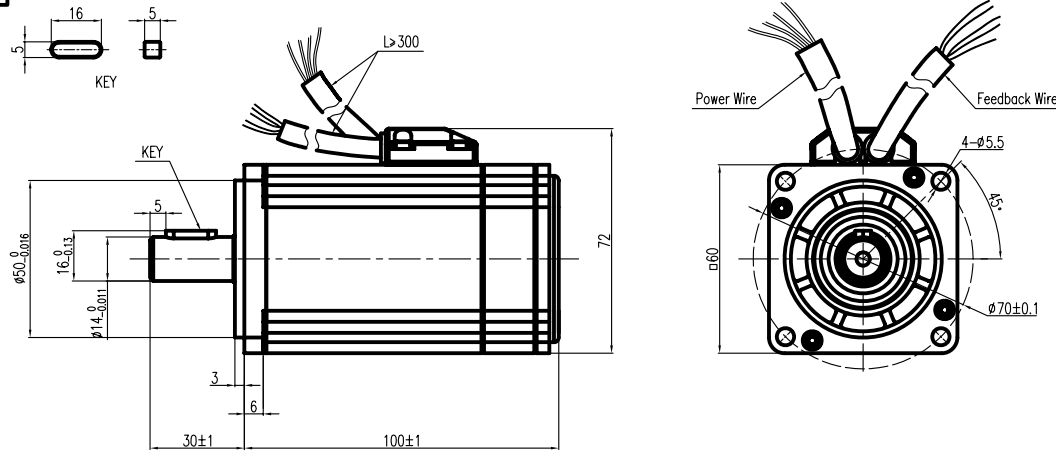


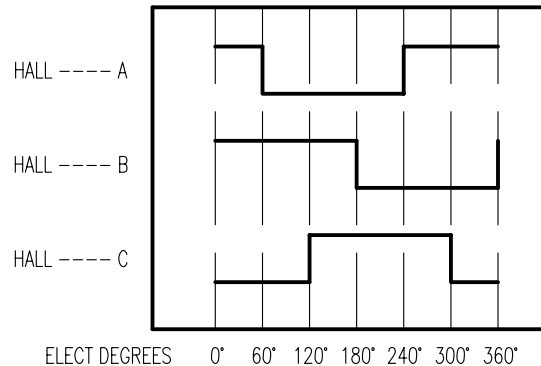
Dimension



Technical Data

| Motor Technical Data | | |
|---|---------------------------------|---|
| No. of poles | 8 | |
| Voltage U_{bc} (V) | 48 | |
| Rated Power P_N (W) | 211 | |
| Rated Torque T_N (N.m) | 0.14 | |
| Rated Speed n_n (rpm) | 14400 | |
| Rated Current I_N (A) | 8(REF) | |
| Resistance line-line R_L (Ω) | 0.12(REF) | |
| Inductance line-line L_L (mH) | 0.118(REF) | |
| Voltage constant K_e (V/krpm) | 2.1(REF) | |
| Torque constant K_t (Nm/A) | 0.0216(REF) | |
| Rotor moment of inertia J_m (Kg.cm ²) | 0.375 | |
| Insulation class | F | |
| Max. radial force F_r (N) | 180 | |
| Max. axial force F_a (N) | 90 | |
| Weight (Kg) | 1.1Kg | |
| Feed back device | HALL Sensor (switch) | |
| Cooling method | Totally enclosed non-ventilated | |
| protection level | IP54 | |
| Environmental conditions | Temperature | -20℃~40℃ |
| | Humidity | Below 90%RH (No dewing) |
| | Environment | Far away active gas, combustible gas, oil drop, ash. |
| | Installation altitude | UP TO 1000m: rated power, above 1000m: 1.5% power decreasing per 100m, max. 4000m |

Motor to Hall Relationship



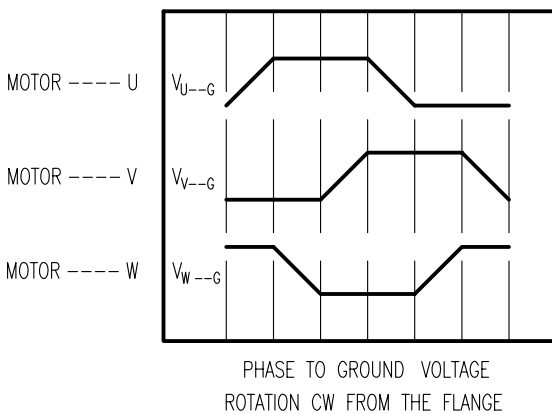
Line Define

Power Wire

| | |
|----------------|---------|
| Yellow(16AWG) | Motor U |
| Red(16AWG) | Motor V |
| Black(16AWG) | Motor W |
| YEL/GRN(16AWG) | PE |

Feedback Wire

| | |
|--------------|---------|
| Red(24AWG) | Vcc +5V |
| Blue(24AWG) | GND |
| Gray(28AWG) | Hall A |
| Green(28AWG) | Hall B |
| White(28AWG) | Hall C |



| | | | |
|---------------------------------------|---------|-------------|-----------------------|
| DESIGN | DATE | P/N. | 外形图 |
| REV | ECN NO. | DESCRIPTION | |
| UNLESS OTHERWISE SPECIFIED TOLERANCES | | | USED ON |
| DECIMALS: .x ±0.5 .xx ±0.25 .xxx ±0.1 | | | |
| ANGULAR: ±0°30' | | | K60BL30-48V-144-211-3 |
| UNIT: mm | | | |
| DO NOT SCALE DRAWING | | | REV A |
| MATERIAL | CONTR. | CHECK | KINAVO MOTOR |
| FIRST ANGLE PROJECTION | | SCALE | |
| | | SHEET | OF |