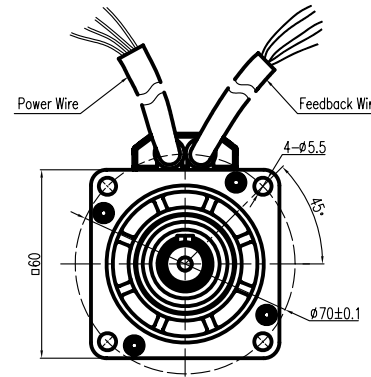
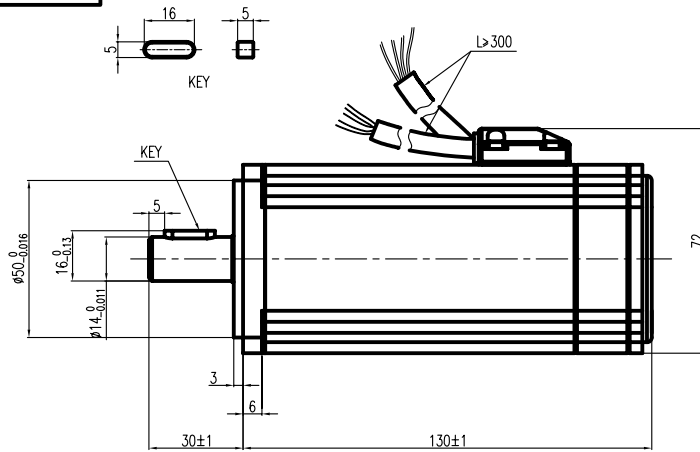


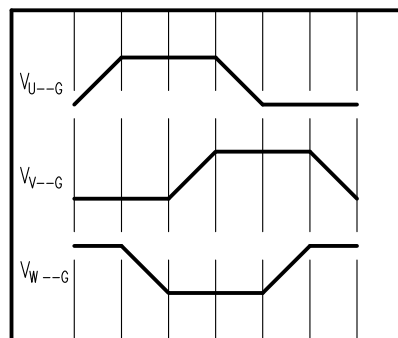
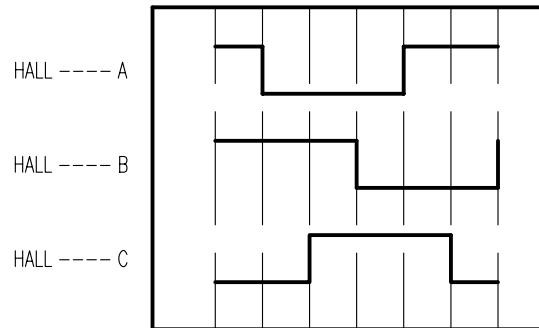
Dimension



Technical Data

| Motor Technical Data | | |
|---|---------------------------------|---|
| No. of poles | 8 | |
| Voltage U_{bc} (V) | 36 | |
| Rated Power P_N (W) | 360 | |
| Rated Torque T_N (N.m) | 1.15 | |
| Rated Speed n_n (rpm) | 3000 | |
| Rated Current I_N (A) | 14 | |
| Resistance line-line R_L (Ω) | 0.23 | |
| Inductance line-line L_L (mH) | 0.41 | |
| Voltage constant K_e (V/krpm) | 6 | |
| Torque constant K_t (Nm/A) | 0.073 | |
| Rotor moment of inertia J_m (Kg.cm ²) | 0.51 | |
| Insulation class | F | |
| Max. radial force F_r (N) | 180 | |
| Max. axial force F_a (N) | 90 | |
| Weight (Kg) | 1.8Kg | |
| Feed back device | HALL Sensor (switch) | |
| Cooling method | Totally enclosed non-ventilated | |
| protection level | IP54 | |
| Environmental conditions | Temperature | -20℃~40℃ |
| | Humidity | Below 90%RH (No dewing) |
| | Environment | Far away active gas, combustible gas, oil drop, ash. |
| | Installation altitude | UP TO 1000m: rated power, above 1000m: 1.5% power decreasing per 100m, max. 4000m |

Motor to Hall Relationship



PHASE TO GROUND VOLTAGE
ROTATION CW FROM THE FLANGE

Line Define

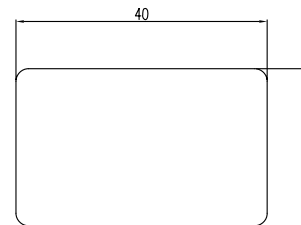
Power Wire

| | |
|----------------|---------|
| Yellow(16AWG) | Motor U |
| Red(16AWG) | Motor V |
| Black(16AWG) | Motor W |
| YEL/GRN(16AWG) | PE |

Feedback Wire

| | |
|--------------|---------|
| Red(24AWG) | Vcc +5V |
| Blue(24AWG) | GND |
| Gray(28AWG) | Hall A |
| Green(28AWG) | Hall B |
| White(28AWG) | Hall C |

Label



| REV | ECN NO. | DESCRIPTION | DRN | APP'D | DATE | DESIGN | DATE | P/N. |
|---------------------------------------|---------|-------------|-----|-------|------|----------|--------|----------------------|
| | | | | | | | | K3. 162. 0108SS |
| UNLESS OTHERWISE SPECIFIED TOLERANCES | | | | | | MATERIAL | CONTR. | CHECK |
| DECIMALS: | | ANGULAR: | | | | | | TITLE |
| .x ±0.5 | | ±0°30' | | | | | | 外形图 |
| .xx ±0.25 | | | | | | | | USED ON |
| .xxx ±0.1 | | | | | | | | K60BL60-36V-30-360-1 |
| UNIT: mm | | | | | | | | DWG NO. |
| DO NOT SCALE DRAWING | | | | | | | | REV |
| | | | | | | | | A |
| FIRST ANGLE PROJECTION | | | | | | SCALE | OF | KINAVO MOTOR |
| | | | | | | SHEET | | |