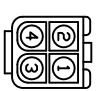
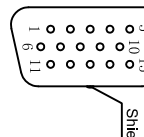


PN	FUNCTION
1	MOTOR U YELLOW
2	MOTOR V RED
3	MOTOR W BLACK
4	MOTOR PE + YELLOW/GREEN



Housing:H66L6-04P
Terminal:TS6L6-A

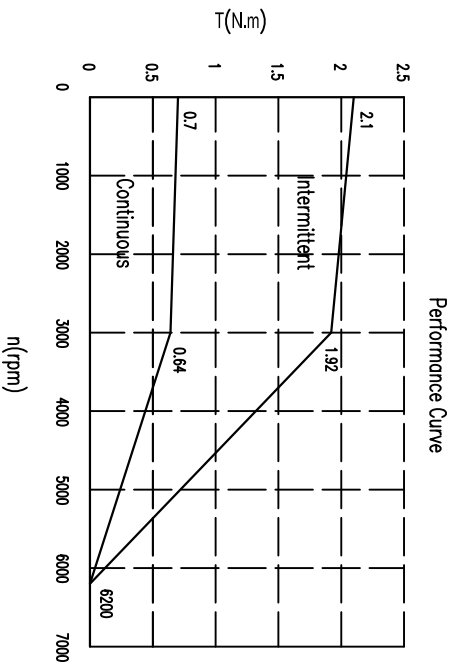
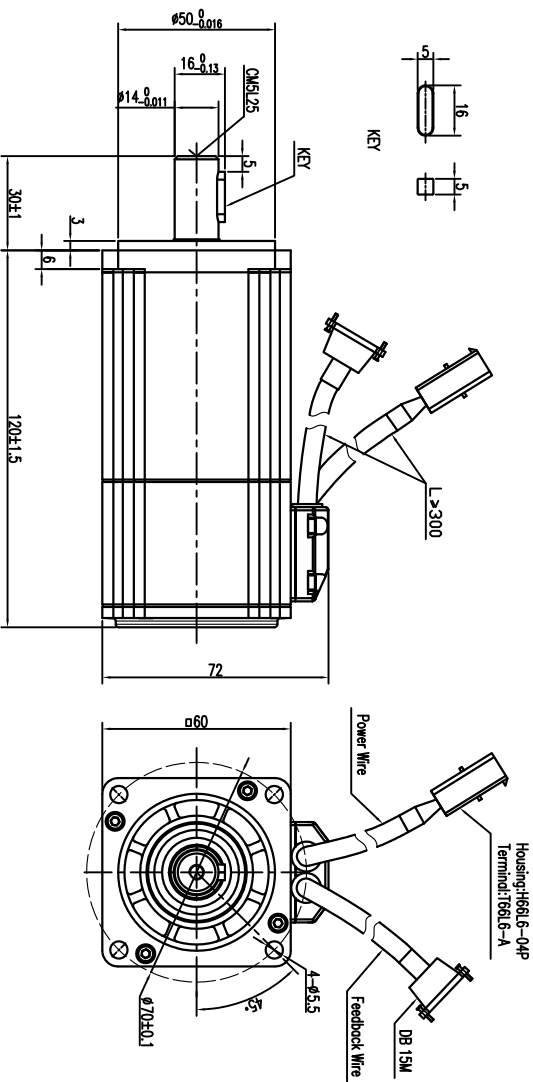
PN	FUNCTION	PN	FUNCTION
1	DC +5V	9	W
2	GND	10	V
3	NC	11	/Z
4	U	12	/B
5	/U	13	/A
6	Z	14	/W
7	B	15	/V
8	A		



DB 15M
Shield

Connector Detail (Power Wire)

Connector Detail (Feedback Wire)



Kinavo AC SERVO MOTOR
SME60-203026ENL

W	200	V	220
A	1.8	Hz	0.64
REV	3000	INS	FPS

MADE IN CHINA
Kinavo Servo Motor (Changzhou) Ltd.
S/N: ENLX00YDDDDNNNN

REV	ECN NO.	DRN	APP'D	DATE	DESIGN	DATE

UNLESS OTHERWISE SPECIFIED
TOLERANCES: ANGULAR:
X ±0.5 ±0°30'
XX ±0.25
.XXX ±0.1
UNIT: mm
DO NOT SCALE DRAWING

FIRST ANGLE PROJECTION

SCALE OF SHEET OF

KINAVO MOTOR

Technical Data

No. of poles	6
DC Link Voltage L _{dc} (DC Link)	300
Rated Power P _R (W)	200
Rated Torque T _R (N.m)	0.64
Rated Speed n _R (rpm)	3000
Rated Current I _R (A)	1.6
Maximum torque T _M (N.m)	1.92
Maximum Current I _M (A)	4.8
Standstill torque T _S (N.m)	0.7
Standstill current I _S (A)	1.76
Resistance line-line R _L (Ω)	10.4
Inductance line-line L _L (mH)	25.4
Electrical time constant τ_e (ms)	2.44
Mechanical time constant τ_m (ms)	2.93
Voltage constant K _v (V/krpm)	29
Torque constant K _t (Nm/A)	0.48
Rotor moment of inertia J _m (kg·cm ²)	0.375
Max. voltage rising du/dt(kV/μs)	8
Insulation class	F
Max. radial force F _r (N)	180
Max. axial force F _a (N)	90
Weight(kg)	1.3
Feed back device	2500p/rev incremental encoder ZKD-30D-250BMD, 25/ 3P-60S1-B-0.5m
Temperature sensor	n.a.
Cooling method	Totally enclosed non-ventilated
protection level	IP55, shaft sealing IP94
Temperature	-20~40°C
Humidity	Below 90%RH (No dewing)
Environment	For oily, active gas, combustible gas, oil drop, ash.
Insulation altitude	Up to 1000m rated power, above 1000m: 1.5% power decreasing per 100m, max: 4000m
Mounting	Aluminum flange 25x25x6mm
Rating conditions	60K housing temperature ring of 40° ambient