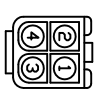
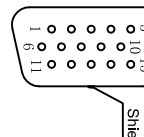


PN	FUNCTION
1	MOTOR U YELLOW
2	MOTOR V RED
3	MOTOR W BLACK
4	MOTOR PE + YELLOW/GREEN



Housing:H68L6-04P
Terminal:ts6L6-4A

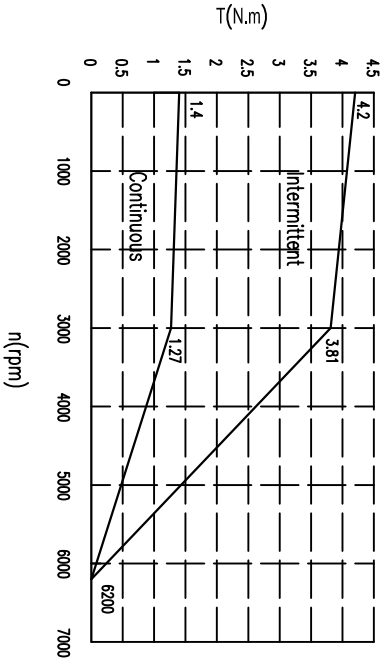
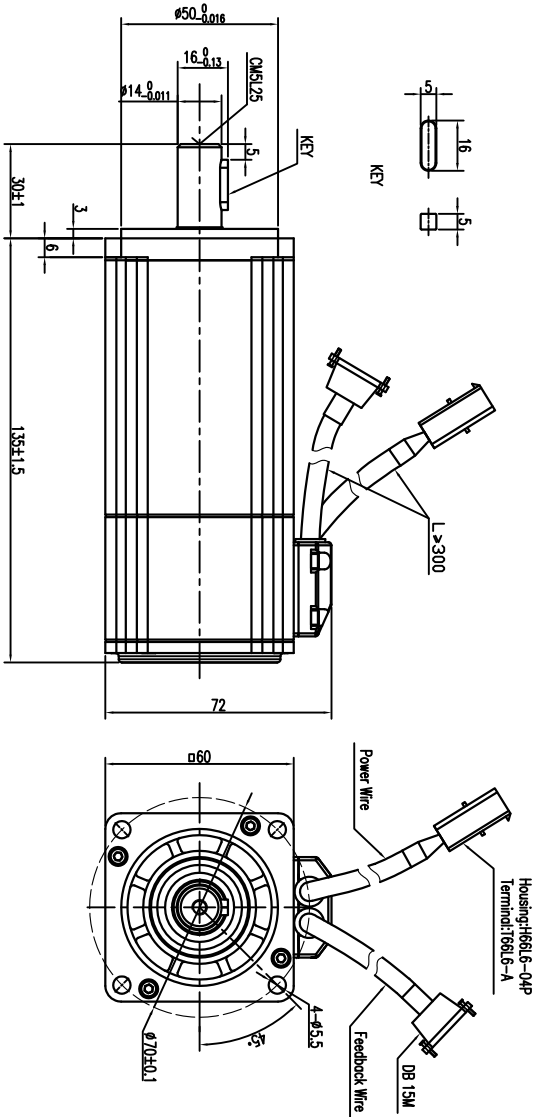
PN	FUNCTION	PN	FUNCTION
1	DC +5V	9	W
2	GND	10	V
3	NC	11	/Z
4	U	12	/B
5	/U	13	/A
6	Z	14	/W
7	B	15	/V
8	A		



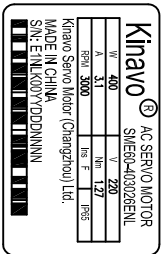
DB 15M
Shield

Connector Detail (Power Wire)

Connector Detail (Feedback Wire)



Performance Curve



Technical Data

No. of poles	6
DC Link Voltage L _{dc} (DC Link)	300
Rated Power P _R (W)	400
Rated Torque T _R (N.m)	1.27
Rated Speed n _m (rpm)	3000
Rated Current I _R (A)	3.1
Maximum torque T _m (N.m)	3.81
Maximum Current I _m (A)	9.3
Standstill torque T _s (N.m)	1.4
Standstill current I _s (A)	3.41
Resistance line-line R _l (Ω)	5.8
Inductance line-line L _l (mH)	15
Electrical time constant τ _e (ms)	2.59
Mechanical time constant τ _m (ms)	1.93
Voltage constant K _v (V/krpm)	29
Torque constant K _t (Nm/A)	0.48
Rotor moment of inertia J _m (kg·cm ²)	0.443
Max. voltage rising du/dt(kV/μs)	8
Insulation class	F
Max. radial force F _r (N)	180
Max. axial force F _a (N)	90
Weight(kg)	1.6

Feed back device	2500p/rev incremental encoder
Temperature sensor	ZKD-30D-250BND, 25/ 3P-030L-B-0.5m
Cooling method	n.a.
Temperature protection level	Totally enclosed non-ventilated IP55, shaft sealing IP54
Humidity	-20~+40℃ Below 90%RH (No dewing)
Environment	For oily, active gas, combustible gas, oil drop, ash.
Insulation altitude	Up to 1000m rated power, above 1000m: 1.5% power decreasing per 100m, max: 4000m
Mounting	Aluminum flange 25x25x6mm
Rating conditions	60K housing temperature ring of 40℃ ambient

REV	ECN NO.	DRN	APP'D	DATE	DESIGN	DATE

UNLESS OTHERWISE SPECIFIED	TOLERANCES	ANGULAR
DECIMALS:	±0.5	±0°30'
XX	±0.25	
.XXX	±0.1	
UNIT: mm		
DO NOT SCALE DRAWING		

FIRST ANGLE PROJECTION	SCALE	OF
	SHEET	

KINAVO MOTOR