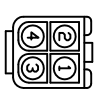
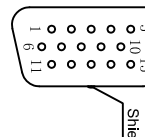


PN	FUNCTION
1	MOTOR U YELLOW
2	MOTOR V RED
3	MOTOR W BLACK
4	MOTOR PE + YELLOW/GREEN



Housing:168L6-04P  
Terminal:168L6-4A

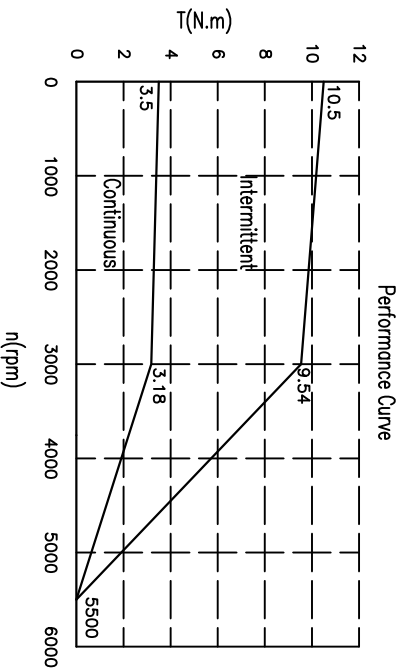
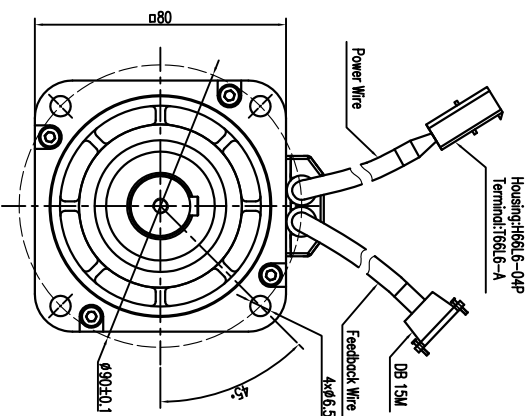
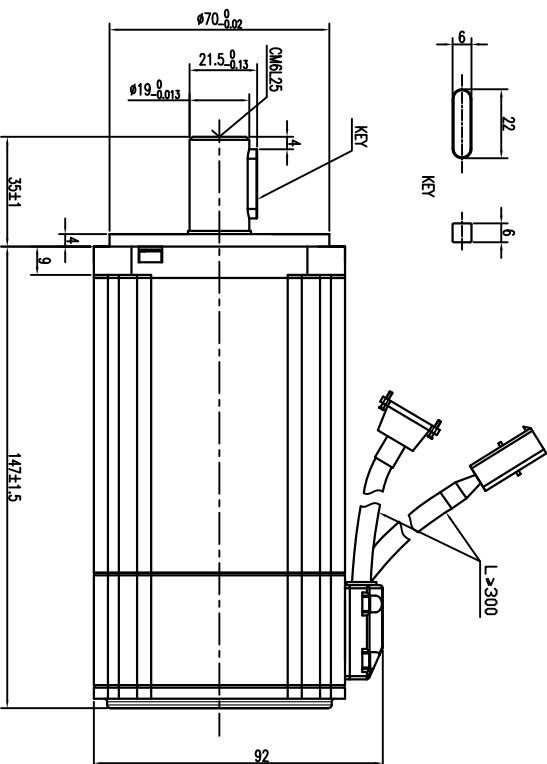
PN	FUNCTION	PN	FUNCTION
1	DC +5V	9	W
2	GND	10	V
3	NC	11	/Z
4	U	12	/B
5	/U	13	/A
6	Z	14	/W
7	B	15	/V
8	A		



DB 15M  
Shield

Connector Detail (Power Wire)

Connector Detail (Feedback Wire)



**kinavo** AC SERVO MOTOR  
SME80-1003026ENL

W	1000	V	220
A	6.3	Hz	3/8
SPN	3000	INS	F
INS	F	RES	

MADE IN CHINA  
Kinavo Servo Motor (Changzhou) Ltd.  
S/N: E3NLK00YVDDDDNNNN

Technical Data

No. of poles	6
DC Link Voltage L <sub>e</sub> (DC Link)	300
Rated Power P <sub>R</sub> (W)	1000
Rated Torque T <sub>R</sub> (N.m)	3.18
Rated Speed n <sub>R</sub> (rpm)	3000
Rated Current I <sub>R</sub> (A)	6.3
Maximum torque T <sub>M</sub> (N.m)	9.54
Maximum Current I <sub>M</sub> (A)	18.9
Standstill torque T <sub>S</sub> (N.m)	3.5
Standstill current I <sub>S</sub> (A)	6.93
Resistance line-line R <sub>L</sub> (Ω)	1.5
Inductance line-line L <sub>M</sub> (mH)	8.8
Electrical time constant τ <sub>e</sub> (ms)	5.87
Mechanical time constant τ <sub>m</sub> (ms)	1.12
Voltage constant K <sub>v</sub> (V/krpm)	34
Torque constant K <sub>t</sub> (Nm/A)	0.582
Rotor moment of inertia J <sub>m</sub> (kg·cm <sup>2</sup> )	1.36
Max. voltage rising dv/dt(kV/μs)	8
Insulation class	F
Max. radial force F <sub>R</sub> (N)	335
Max. axial force F <sub>A</sub> (N)	167.5
Weight(kg)	3.3
Feed back device	2500p./rev incremental encoder ZKD-30D-250BMD,25/3P-635L-B-0.5m
Temperature sensor	n.a.
Cooling method	Totally enclosed non-ventilated
protection level	IP55,short sealing IP54
Temperature	-20~+40℃
Humidity	Below 90%RH (No dewing)
Environment	For oily active gas, combustible gas, oil drop, ash.
Insulation altitude	Up to 1000m rated power, above 1000m: 1/5 power decreasing per 100m, max: 4000m
Mounting	Aluminum flange 25x25x6mm
Rating conditions	60K housing temperature ring of 40℃ ambient

REV	ECN NO.	DRN	APPD.	DATE	DESIGN	DATE

UNLESS OTHERWISE SPECIFIED	MATERIAL	CONTR.	CHECK
TOLERANCES			
DECIMALS:			
ANGULAR:			
X	±0.5		
XX	±0.25		
.XXX	±0.1		
UNIT: mm			
DO NOT SCALE DRAWING			

FIRST ANGLE PROJECTION	SCALE	OF
	SHEET	

**KINAVO MOTOR**