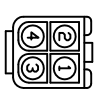
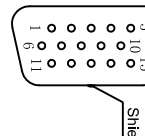


PN	FUNCTION
1	MOTOR U YELLOW
2	MOTOR V RED
3	MOTOR W BLACK
4	MOTOR PE + YELLOW/GREEN



Housing:H68L6-04P
Terminal:t68L6-A

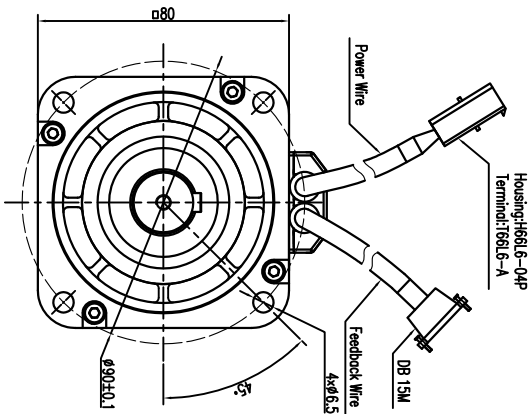
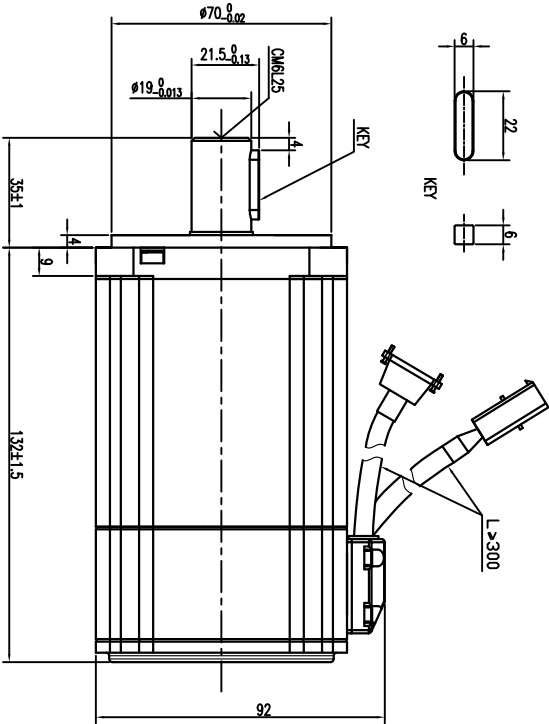
PN	FUNCTION	PN	FUNCTION
1	DC +5V	9	W
2	GND	10	V
3	NC	11	/Z
4	U	12	/B
5	/U	13	/A
6	Z	14	/W
7	B	15	/V
8	A		



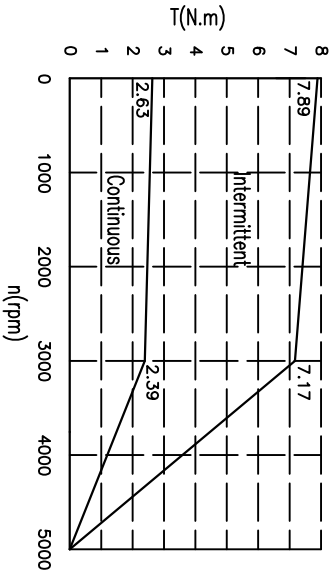
DB 15M
Shield

Connector Detail (Power Wire)

Connector Detail (Feedback Wire)



Performance Curve



Kinavo AC SERVO MOTOR
SME80-753026ENL

W	750	V	220
A	3.9	Hz	2.9
REV	3000	Ins	F

MADE IN CHINA
S/N: ENLX00YYDDNNNN

Technical Data

No. of poles	6
DC Link Voltage L _{dc} (DC Link)	300
Rated Power P _R (W)	750
Rated Torque T _R (N.m)	2.39
Rated Speed n _R (rpm)	3000
Rated Current I _R (A)	3.9
Maximum torque T _M (N.m)	7.17
Maximum Current I _M (A)	11.7
Standstill torque T _S (N.m)	2.63
Standstill current I _S (A)	4.29
Resistance line-line R _L (Ω)	3
Inductance line-line L _L (mH)	16.2
Electrical time constant τ _e (ms)	5.4
Mechanical time constant τ _m (ms)	1.49
Voltage constant K _v (V/krpm)	40
Torque constant K _t (Nm/A)	0.662
Rotor moment of inertia J _R (kg·cm ²)	1.255
Max. voltage rising dv/dt(kV/μs)	8
Insulation class	F
Max. radial force F _R (N)	335
Max. axial force F _A (N)	167.5
Weight(kg)	2.9
Feed back device	2500p/rev incremental encoder
Temperature sensor	ZK0-30D-250BNO.25/3P-030L-B-0.5m
Cooling method	n.a.
protection level	Totally enclosed non-ventilated IP55,short sealing IP54
Temperature	-20~+40℃
Humidity	Below 90%RH (No dewing)
Environment	For oily, active gas, combustible gas, oil drop, ash.
Insulation altitude	Up to 1000m rated power, above 1000m, 1.5% power decreasing per 100m, max: 4000m
Mounting	Aluminum flange 255x255x6mm
Rating conditions	60K housing temperature ring of 40℃ ambient

REV	ECN NO.	DRN	APPD.	DATE	DESIGN	DATE

UNLESS OTHERWISE SPECIFIED
TOLERANCES: DECIMALS: ANGULAR: .XX ±0.25 ±0°30'

FIRST ANGLE PROJECTION

SCALE: SHEET OF

KINAVO MOTOR