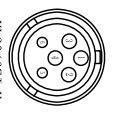


6 Pin Power Connector


Pin Function	COLOR
1	YELLOW
2	RED
3	BLACK
4	YELLOW/GREEN
5	NC
6	NC



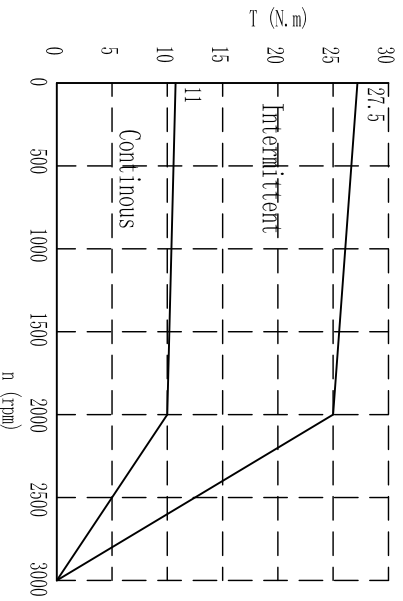
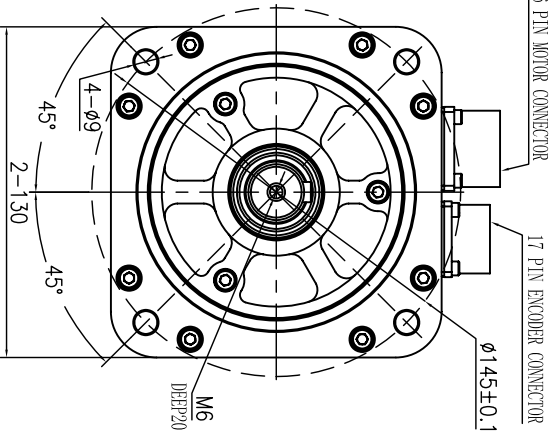
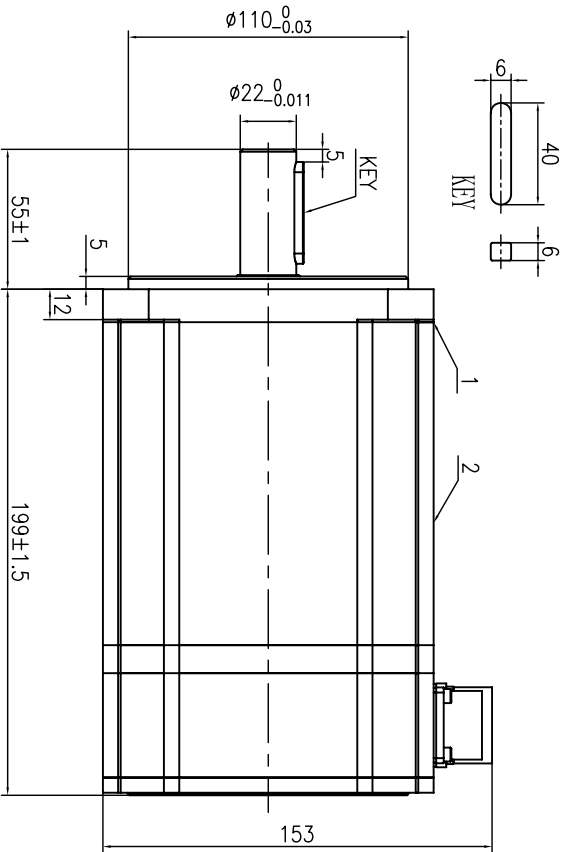
YL2046Z1-Y
6 PIN

17 PIN Encoder Connector

Pin Function	COLOR	Pin Function	COLOR
1	DC-5V	10	/U
2	GN0	11	V
3	A	12	/V
4	B	13	NC
5	B	14	Z
6	/B	15	/Z
7	NC	16	/W
8	NC	17	/W
9	U		



YL221Z1
17 PIN




LABELS

Kinavo AC SERVO MOTOR
SMH30-2102028EM-1

W	2100	V	220
A	8.4	Min	10
RRM	2000	Ins F	IP55

Made in China
Kinavo Electric (Changzhou) Ltd.
S/N: K7NCKX00Y0DDNNNN



Technical Data

No. of poles	8
DC Link Voltage (DC Link)	300
Rated Power P _N (W)	2100
Rated Torque T _N (N·m)	10
Rated Speed N _v (rpm)	2000
Rated Current I _N (A)	8.4
Maximum torque T _m (N·m)	25
Maximum Current I _m (A)	21
Standstill torque T _s (N·m)	11
Standstill current I _s (A)	9.24
Resistance line-line R _L (Ω)	0.64
Inductance line-line L _L (mH)	9.4
Electrical time constant T _e (ms)	14.69
Mechanical time constant T _m (ms)	1.83
Voltage constant K _e (V/krpm)	72
Torque constant K _t (Nm/A)	1.19
Rotor moment of inertia J _m (Kg·cm ²)	23.4
Max. voltage rising dt/dt (kV/μs)	8
Insulation class	F
Max. radial force Fr (N)	900
Max. axial force Fa (N)	450
Weight (kg)	10.7
Feed back device	2500p/rev incremental encoder
Cooling method	01H8-TS5214N8566
protection level	Totally enclosed non-ventilated
Temperature level	IP65, shaft sealing IP54
Temperature	-20°C~40°C
Humidity	Below 90%RH (No dewing)
Environment	Far away active gas, combustible gas, oil drop, ash
Installation altitude	IP 70 100m(ventrated power), above 1000m:1.5h power, decreasing per 100m, max. 400m
Mounting	Aluminum flange 45°X57X12.7mm
Rating conditions	Temperature 60% housing temperature ring at 40°C ambient

REV	ECH NO.	DRN	APPD	DATE
UNLESS OTHERWISE SPECIFIED				
TOLERANCES		MATERIAL		
DECIMALS:	ANGULAR:	CONTR.		
.X ±0.5	±0°30'	APPD		
.XX ±0.25		SCALE		
.XXX ±0.1		SHEET		
.XXX UNIT: mm		OF		
DO NOT SCALE DRAWING				

REV	ECH NO.	DRN	APPD	DATE
UNLESS OTHERWISE SPECIFIED				
TOLERANCES		MATERIAL		
DECIMALS:	ANGULAR:	CONTR.		
.X ±0.5	±0°30'	APPD		
.XX ±0.25		SCALE		
.XXX ±0.1		SHEET		
.XXX UNIT: mm		OF		
DO NOT SCALE DRAWING				

P/N: K3.162.3038SS
TITLE: Outside Diagram
USED ON: SMH30-2102028EM-1
DWG NO: REV C

KINAVO MOTOR