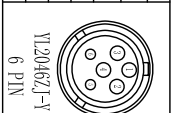


6 Pin Power Connector


Pin	Function	COLOR
1	U	YELLOW
2	V	RED
3	W	BLACK
4	PE	YELLOW/GREEN
5	NC	
6	NC	



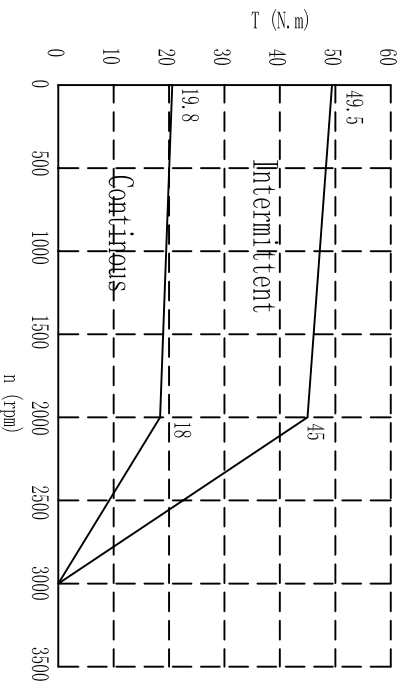
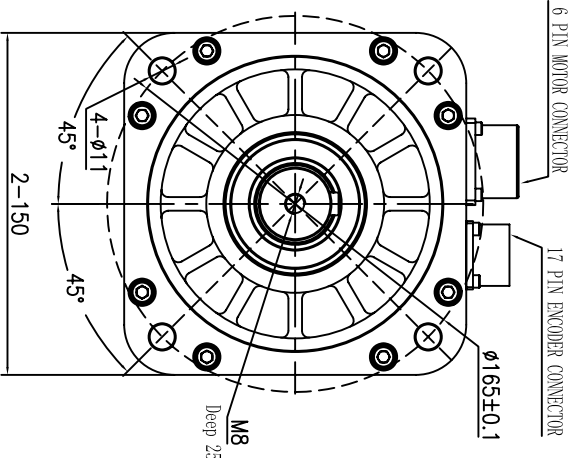
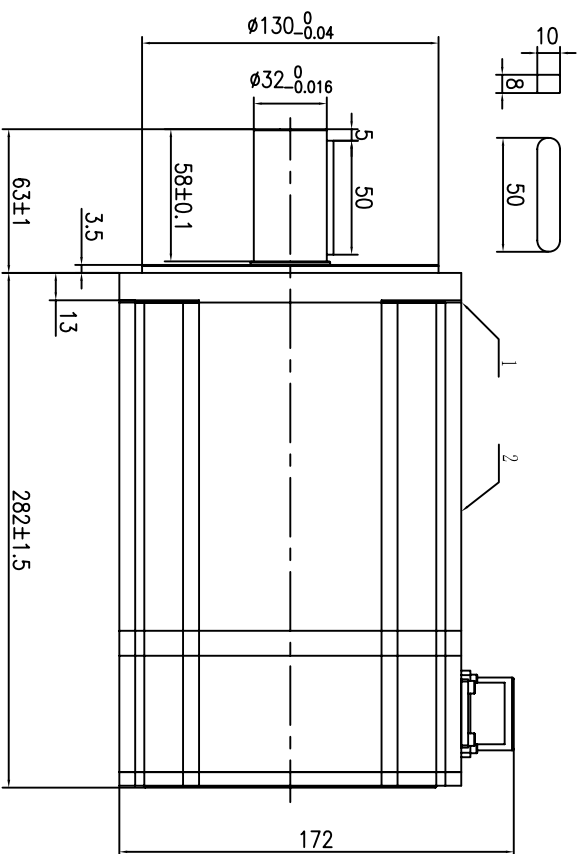
YL2046ZJ-V  
6 PIN

17 PIN Encoder Connector

Pin	Function	COLOR	Pin	Function	COLOR
1	DC-5V	RED	10	/U	BROWN
2	GND	BLACK	11	V	WHITE/BLACK
3	A	BLUE/BLACK	12	/V	WHITE
4	/A	BLUE	13	NC	
5	B	GREEN	14	Z	YELLOW
6	/B	GREEN/BLACK	15	/Z	YELLOW/BLACK
7	NC		16	W	GRAY/BLACK
8	NC		17	/W	GRAY
9	U	BROWN/BLACK			



YL221ZJ  
17 PIN




LABELS



**Kinavo** AC SERVO MOTOR  
SMH150-3802038ENM

W	3800	V	380
A	9.3	Nm	18
RPM	2000	Ins. F	IP54

MADE IN CHINA  
Kinavo Electric (Changzhou) Ltd.  
S/N: K25NCX00YYDDDDNNNN



REV		ECH NO.	DRN	APPD.	DATE	DESIGN	DATE	P.N.	DATE
UNLESS OTHERWISE SPECIFIED									
TOLERANCES									
DECIMALS:	ANGULAR:								
.X	±0.5								
.XX	±0.25								
.XXX	±0.1								
UNIT: mm									
DO NOT SCALE DRAWING									
FIRST ANGLE PROJECTION									
SCALE									
SHEET									
OF									
KINAVO MOTOR									

Technical Data	
No. of poles	8
DC Link Voltage (DC Link)	560
Rated Power P <sub>N</sub> (W)	3800
Rated Torque T <sub>N</sub> (N.m)	18
Rated Speed N <sub>r</sub> (rpm)	2000
Rated Current I <sub>N</sub> (A)	9.3
Maximum torque T <sub>m</sub> (N.m)	45
Maximum Current I <sub>m</sub> (A)	23.25
Standstill torque T <sub>s</sub> (N.m)	19.8
Standstill current I <sub>s</sub> (A)	10.23
Resistance line-line R <sub>L</sub> (Ω)	1.09
Inductance line-line L <sub>L</sub> (mH)	10.1 (avg)
Electrical time constant T <sub>e</sub> (ms)	9.27
Mechanical time constant T <sub>m</sub> (ms)	2.78
Voltage constant K <sub>e</sub> (V/krpm)	125
Torque constant K <sub>t</sub> (Nm/A)	2.07
Rotor moment of inertia J <sub>m</sub> (Kg.cm <sup>2</sup> )	63.1
Max. voltage rising dt/dt (kV/μs)	8
Insulation class	F
Max. radial force Fr (N)	1200
Max. axial force Fa (N)	600
Weight (Kg)	18
Feed back device	2500p/rev incremental encoder
Cooling method	01H48-TS52JAN8566
protection level	Totally enclosed non-ventilated
Temperature level	IP65, shaft sealing IP54
Temperature	-20°C~40°C
Humidity	Below 90%RH (No dewing)
Environment	Far away active gas, combustible gas, oil drop, ash
Installation altitude	IP 70 100m(derated power), above 1000m: 1.5 power decreasing per 100m, max. 400m
Mounting	Aluminum flange 45°X45°X12.7mm
Temperature	60°C housing temperature ring at 40°C ambient

REV	ECH NO.	DRN	APPD.	DATE	DESIGN	DATE	P.N.	DATE
UNLESS OTHERWISE SPECIFIED								
TOLERANCES								
DECIMALS:	ANGULAR:							
.X	±0.5							
.XX	±0.25							
.XXX	±0.1							
UNIT: mm								
DO NOT SCALE DRAWING								
FIRST ANGLE PROJECTION								
SCALE								
SHEET								
OF								
KINAVO MOTOR								