


6 Pin Power Connector


Pin Function	COLOR
1 U	YELLOW
2 V	RED
3 W	BLACK
4 PE	YELLOW/GREEN
5 NC	
6 NC	



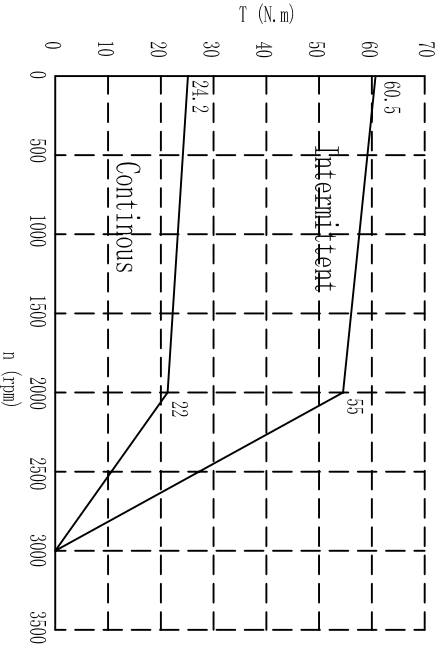
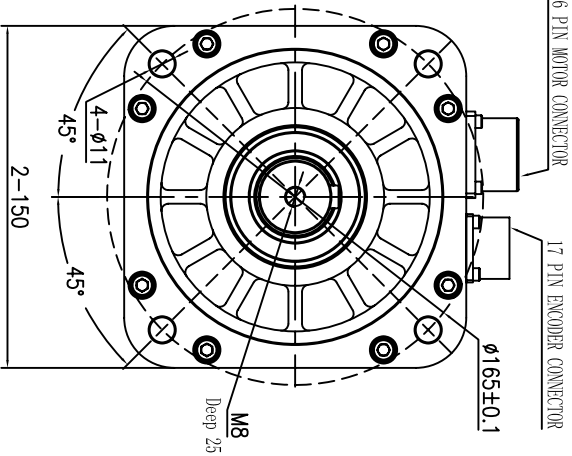
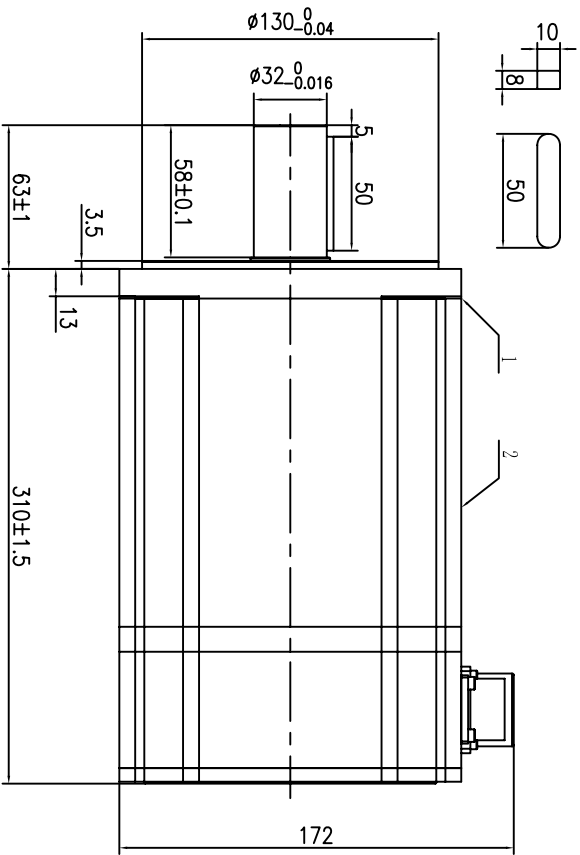
YL2046Z1-V
6 PIN

17 PIN Encoder Connector

Pin Function	COLOR	Pin Function	COLOR
1 DC-5V	RED	10 /V	BROWN
2 GND	BLACK	11 /A	WHITE/BLACK
3 A	BLUE/BLACK	12 /V	WHITE
4 /A	BLUE	13 NC	
5 B	GREEN	14 Z	YELLOW
6 /B	GREEN/BLACK	15 /Z	YELLOW/BLACK
7 NC		16 W	GRAY/BLACK
8 NC		17 /W	GRAY
9 U	BROWN/BLACK		



YL221Z1
17 PIN



LABELS


①

②

Kinavo AC SERVO MOTOR
SMH150-4602038ENM

W	4600	V	380
A	10.7	Nm	22
RFN	2000	Ins. F.	IP54

Made in China
Kinavo Electric (Changzhou) Ltd.
S/N: K41NCK00YVDDNNNN



REV	ECH NO.	DRN	APPD	DATE	DESIGN	DATE	P.N.
UNLESS OTHERWISE SPECIFIED							
TOLERANCES		MATERIAL		CONTR.	CHECK		TTITLE
DECIMALS: .x							Outside Diagram
ANGULAR: .xx				APPD			USED ON
±0.5							SMH150-4602038ENM
±0.25							DWG NO.
±0.1							REV
.xxx							C
UNIT: mm							
DO NOT SCALE DRAWING							
FIRST ANGLE PROJECTION				SCALE		OF	
				SHEET			
							KINAVO MOTOR

Technical Data

No. of poles	8
DC Link Voltage UDC (DC Link)	560
Rated Power P _N (W)	4600
Rated Torque T _N (N.m)	22
Rated Speed n _N (rpm)	2000
Rated Current I _N (A)	10.7
Maximum torque T _m (N.m)	55
Maximum Current I _m (A)	26.75
Standstill torque T _s (N.m)	24.2
Standstill current I _s (A)	11.77
Resistance line-line R _L (Ω)	0.94
Inductance line-line L _L (mH)	8.0(avg)
Electrical time constant τ _e (ms)	8.51
Mechanical time constant τ _m (ms)	2.80
Voltage constant K _e (V/krpm)	130
Torque constant K _t (Nm/A)	2.15
Rotor moment of inertia J _m (Kg.cm ²)	79.4
Max. voltage rising dt/dt (kV/μs)	8
Insulation class	F
Max. radial force Fr (N)	1200
Max. axial force Fa (N)	600
Weight (kg)	21
Feed back device	2500p/rev incremental encoder
Cooling method	Totally enclosed non-ventilated
protection level	IP65, shaft sealing IP54
Temperature level	-20°C~40°C
Humidity	Below 90%RH (No dewing)
Environment	Far away active gas, combustible gas, oil drop, ash
Installation altitude	IP 70 100m(overrated power), above 1000m:1.5% power, decreasing per 100m, max.4000m
Mounting	Aluminum flange 45°X45°X12.7mm
Rating conditions	60% housing temperature rise at 40°C ambient