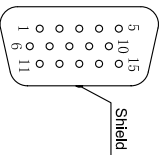


PIN	FUNCTION
1	MOTOR U YELLOW
2	MOTOR V RED
3	MOTOR W BLACK
4	MOTOR PE ± YELLOW/GREEN



Housing: t66L6-04P
Terminal: t66L6-A

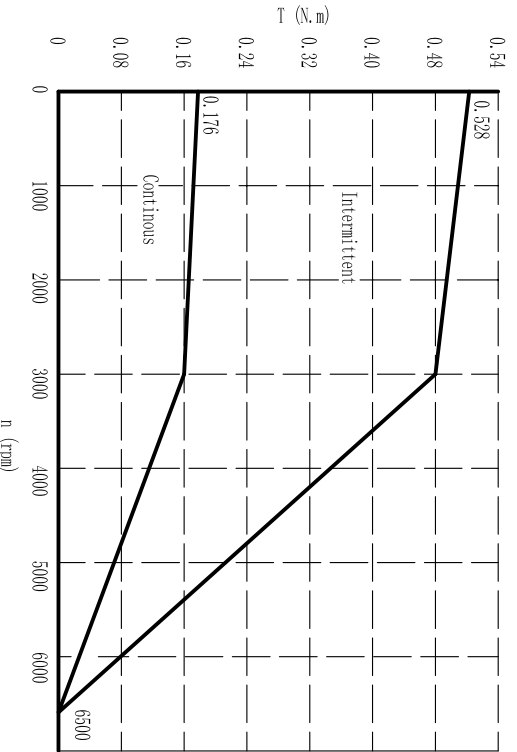
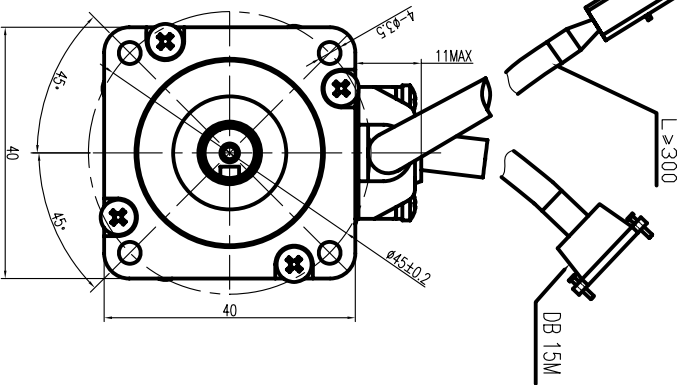
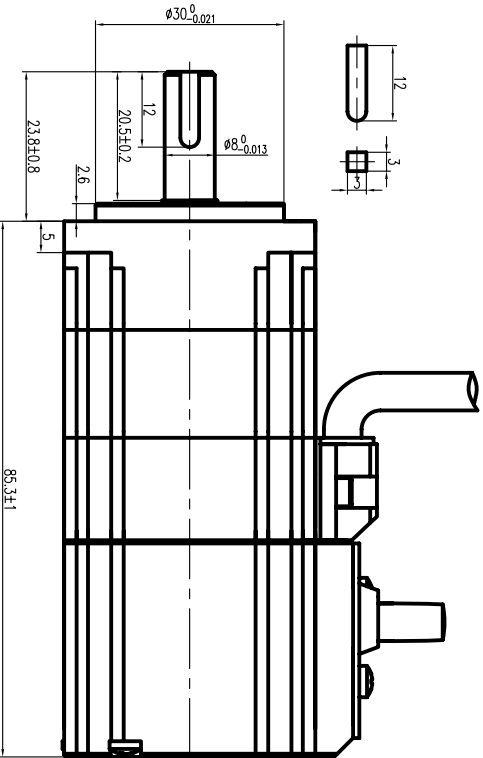
PIN	FUNCTION	PIN	FUNCTION	PIN	FUNCTION
1	DC +5V	9	W		
2	GND	10	V		
3	NC	11	/Z		
4	U	12	/B		
5	/U	13	/A		
6	Z	14	/W		
7	B	15	/V		
8	A				



DB 15M

Connector Detail (Power Wire)

Connector Detail (Feedback Wire)



Kinavo AC SERVO MOTOR
SIMH40-53028ENL

II 30 Y 220
I 30.2 Ma 16
RPM 3000 His F

S/N: XXXXXXXXXXXXXXXXXXXX
Made in China
Kinavo Servo Motor (Hangzhou) Ltd.

Technical Data

No. of poles	8
DC Link Voltage U _c (DC Link)	300
Rated Power P _n (W)	50
Rated torque T _n (N·m)	0.16
Rated Speed n _n (rpm)	3000
Rated Current I _n (A)	0.7
Maximum torque T _e (N·m)	0.48
Maximum Current I _e (A)	2.1
Standstill torque T _s (N·m)	0.176
Standstill current I _s (A)	0.77
Resistance line-line R _L (Ω)	16.8
Inductance line-line L _L (mH)	14
Electrical time constant τ _e (ms)	0.84
Mechanical time constant τ _m (ms)	1.28
Voltage constant K _v (V/krpm)	16
Torque constant K _t (Nm/A)	0.285
Rotor moment of inertia J _m (kg·cm ²)	0.031
Max. voltage rising dv/dt(kV/μs)	8
Insulation class	F
Max. radial force F _r (N)	120
Max. axial force F _a (N)	80
Weight(kg)	0.5
Feed back device	2500p/rev incremental encoder
	TS6214N332
Temperature sensor	n.a.
Cooling method	Totally enclosed non-ventilated
protection level	IP64, shaft sealing IP54
Temperature	-20~+40℃
Humidity	Below 90%RH (No dewing)
Environment	For oily, active gas, combustible gas, oil drop, ash.
Installation altitude	Up to 1000m rated power, above 1000m: 1.5% power decreasing per 100m; max: 4000m
Mounting	Aluminum flange 305x305x3mm
Rating conditions	Temperature 60K housing temperature ring of 40° ambient

REV	ECN NO.	DESCRIPTION	MATERIAL	DRW APP'D	DATE	DESIGN	DATE	PIN	TITLE
		UNLESS OTHERWISE SPECIFIED		CONTR.		CHECK			外箱图
		TOLERANCES				APPD			USED ON SIMH40-53028ENL
		DECIMALS: ±0.5	ANGULAR: ±0°30'						DWG NO. REV B
		.XX ±0.25							
		.XXX ±0.1							
		UNIT: mm							
		DO NOT SCALE DRAWING							
		FIRST ANGLE PROJECTION				SCALE	OF		
						SHEET			KINAVO MOTOR