
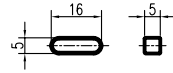


PIN	FUNCTION	COLOR
1	MOTOR U	YELLOW
2	MOTOR V	RED
3	MOTOR W	BLACK(20AWG)
4	Brake	BLACK(24AWG)
5	Brake	BLACK(24AWG)
6	NC	NC
≠	MOTOR PE ≠	YELLOW/GREEN



M17 7PIN

Power Connector



KEY

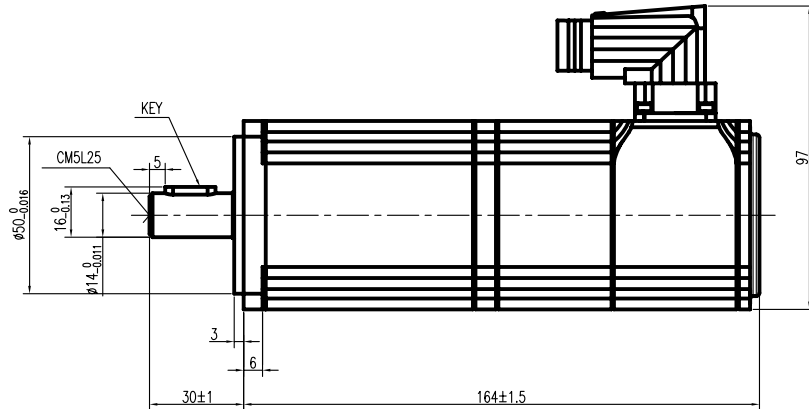
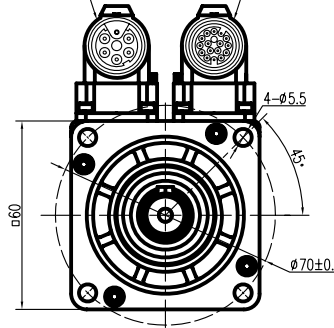
PIN	FUNCTION	COLOR	PIN	FUNCTION	COLOR
1	DC +5V	RED(28AWG)	10	/U	BROWN
2	GND	BLACK(28AWG)	11	V	WHITE/BLACK
3	A	BLUE/BLACK	12	/V	WHITE
4	/A	BLUE	13	NC	NC
5	B	GREEN	14	Z	YELLOW
6	/B	GREEN/BLACK	15	/Z	YELLOW/BLACK
7	KTY(+)	RED(26AWG)	16	W	GRAY/BLACK
8	KTY(-)	BLACK(26AWG)	17	/W	GRAY
9	U	BROWN/BLACK			



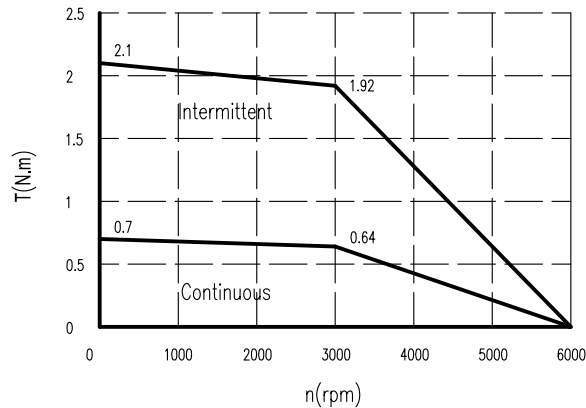
M17 17PIN

Feedback Connector

BEDC878NN0000152A000 Power Connector
 AEDC874NN0000151A000 Feedback Connector



Performance Curve




Kinavo® AC SERVO MOTOR
SMH60-203026EBC-30

W 200	V 220
A 1.6	Nm 0.64
RPM 3000	Ins F IP65

Holding brake: 24V_{DC} M=1.3Nm

Kinavo Servo Motor (Changzhou) Ltd.
 MADE IN CHINA
 S/N: K0BMK01YYDDNNNN



Brake Data	
Static friction	1.3N.m
Voltage	24VDC
Power	7.2w

Technical Data	
No. of poles	6
DC Link Voltage U _{DC} (DC Link)	300
Rated Power P _N (W)	200
Rated Torque T _N (N.m)	0.64
Rated Speed n _N (rpm)	3000
Rated Current I _N (A)	1.6
Maximum torque T _m (N.m)	1.92
Maximum Current I _m (A)	4.8
Standstill torque T _s (N.m)	0.7
Standstill current I _s (A)	1.76
Resistance line-line R _L (Ω)	8.02
Inductance line-line L _L (mH)	16.3
Electrical time constant τ _e (ms)	2.03
Mechanical time constant τ _m (ms)	2.26
Voltage constant K _v (V/krpm)	29
Torque constant K _t (Nm/A)	0.48
Rotor moment of inertia J _m (Kg.cm ²)	0.379
Max. voltage rising du/dt(KV/μs)	8
Insulation class	F
Max. radial force Fr(N)	180
Max. axial force Fa(N)	90
Weight(Kg)	1.8

Feedback device	2500p/rev incremental encoder	
	TS6014N115	
Temperature sensor	KTY84-130	
Cooling method	Totally enclosed non-ventilated	
protection level	IP65,shaft sealing IP54	
Environmental conditions	Temperature	-20℃~40℃
	Humidity	Below 90%RH (No dewing)
	Environment	Far away active gas,combustible gas,oil drop,ash.
Rating conditions	Installation altitude	UP TO 1000m:rated power, above 1000m:1.5% power decreasing per 100m,max.4000m
	Mounting	Aluminum flange 255x255x6mm
	Temperature	60K housing temperature ring at 40℃ ambient

REV	ECN NO.	DRN	APP'D	DATE	DESIGN	DATE	P/N.
							K3.162.0175SS
UNLESS OTHERWISE SPECIFIED TOLERANCES					MATERIAL	CONTR.	TITLE
DECIMALS: .x ±0.5							Outside Drawing
ANGULAR: .xx ±0.25 ±0°30'							USED ON
.xxx ±0.1							SMH60-203026EBC-30
UNIT: mm							DWG NO.
DO NOT SCALE DRAWING							REV
					FIRST ANGLE PROJECTION	SCALE	A
						OF	KINAVO MOTOR