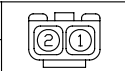


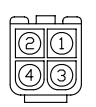
PIN	FUNCTION	COLOR
1	BRAKE (+)	RED
2	BRAKE (-)	BLUE



Housing:H66L6-02P  
Terminal:T66L6-B

Connector Detail (Brake Wire)

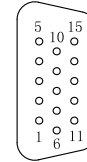
PIN	FUNCTION	COLOR
1	MOTOR U	YELLOW
2	MOTOR V	RED
3	MOTOR W	BLACK
4	MOTOR PE $\perp$	YELLOW/GREEN



Housing:H66L6-04P  
Terminal:T66L6-B

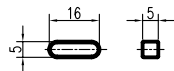
Connector Detail (Power Wire)

PIN	FUNCTION	COLOR	PIN	FUNCTION	COLOR
1	DC +5V	RED	9	W	GRAY/BLACK
2	GND	BLACK	10	V	WHITE/BLACK
3	NC	NC	11	/Z	YELLOW/BLACK
4	U	BROWN/BLACK	12	/B	GREEN/BLACK
5	/U	BROWN	13	/A	BLUE
6	Z	YELLOW	14	/W	GRAY
7	B	GREEN	15	/V	WHITE
8	A	BLUE/BLACK			

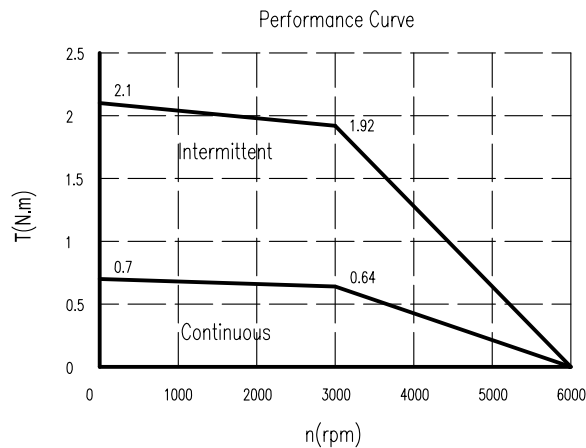
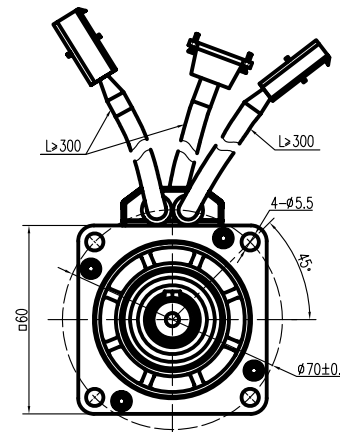
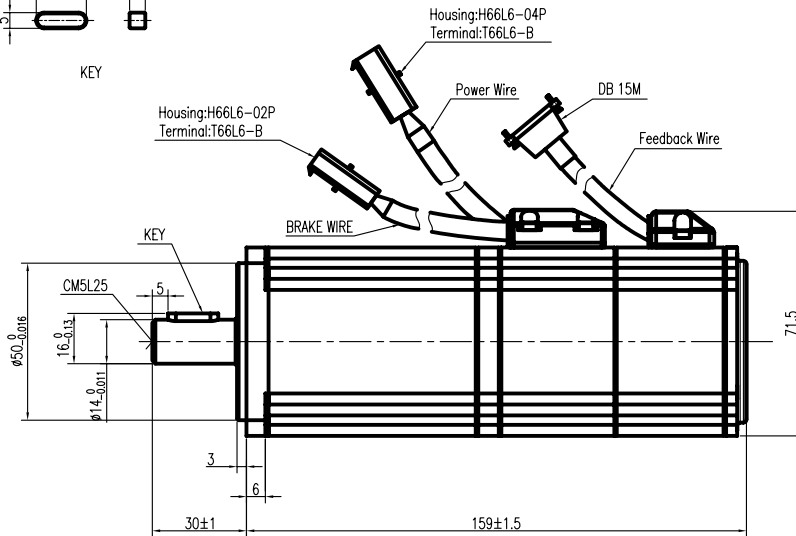


DB 15M

Connector Detail (Feedback Wire)



KEY



**Kinavo**® AC SERVO MOTOR  
SMH60-203026EBL-30

W	200	V	220
A	1.6	Nm	0.64
RPM	3000	Ins	F
		IP	IP65

Holding brake:  $24V_{DC}$   $M=1.3Nm$

Kinavo Servo Motor (Changzhou) Ltd.  
MADE IN CHINA  
S/N: K0BHK01YYDDNNNN

Brake Data	
Static friction	1.3N.m
Voltage	24VDC
Power	7.2w

Technical Data		
No. of poles	6	
DC Link Voltage $U_{DC}$ (DC Link)	300	
Rated Power $P_N$ (W)	200	
Rated Torque $T_N$ (N.m)	0.64	
Rated Speed $n_N$ (rpm)	3000	
Rated Current $I_N$ (A)	1.6	
Maximum torque $T_m$ (N.m)	1.92	
Maximum Current $I_m$ (A)	4.8	
Standstill torque $T_s$ (N.m)	0.7	
Standstill current $I_s$ (A)	1.76	
Resistance line-line $R_L$ ( $\Omega$ )	8.02	
Inductance line-line $L_L$ (mH)	16.3	
Electrical time constant $\tau_e$ (ms)	2.03	
Mechanical time constant $\tau_m$ (ms)	2.26	
Voltage constant $K_e$ (V/krpm)	29	
Torque constant $K_t$ (Nm/A)	0.48	
Rotor moment of inertia $J_m$ (Kg.cm <sup>2</sup> )	0.379	
Max. voltage rising $du/dt$ (KV/ $\mu$ s)	8	
Insulation class	F	
Max. radial force $F_r$ (N)	180	
Max. axial force $F_a$ (N)	90	
Weight(Kg)	1.8	
Feed back device	2500p/rev incremental encoder TS6014N115	
Temperature sensor	n.a.	
Cooling method	Totally enclosed non-ventilated	
protection level	IP65,shaft sealing IP54	
Environmental conditions	Temperature	-20 $\sim$ 40 $\circ$ C
	Humidity	Below 90%RH (No dewing)
	Environment	Far away active gas,combustible gas,oil drop,ash.
Rating conditions	Installation altitude	UP TO 1000m:rated power, above 1000m:1.5% power decreasing per 100m,max.4000m
	Mounting	Aluminum flange 255x255x6mm
	Temperature	60K housing temperature ring at 40 $\circ$ ambient

REV	ECN NO.	DRN	APP'D	DATE	DESIGN	DATE	P/N.
							K3.162.0180SS
UNLESS OTHERWISE SPECIFIED TOLERANCES					MATERIAL	CONTR.	TITLE
DECIMALS: .x $\pm 0.5$							Outside Drawing
ANGULAR: .xx $\pm 0.25$ $\pm 0^{\circ}30'$							USED ON
.xxx $\pm 0.1$							SMH60-203026EBL-30
UNIT: mm							DWG NO.
DO NOT SCALE DRAWING							REV
					FIRST ANGLE PROJECTION	SCALE	A
						OF	KINAVO MOTOR