


PIN	FUNCTION	COLOR
1	MOTOR U	YELLOW
2	MOTOR V	RED
3	MOTOR W	BLACK
4	NC	NC
5	NC	NC
6	NC	NC
≠	MOTOR PE ≠	YELLOW/GREEN



M17 7PIN

Power Connector

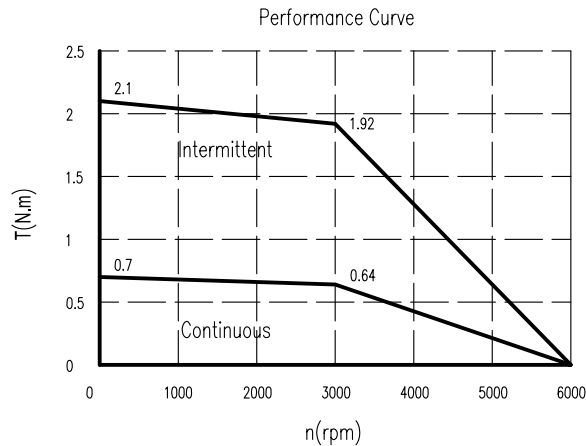
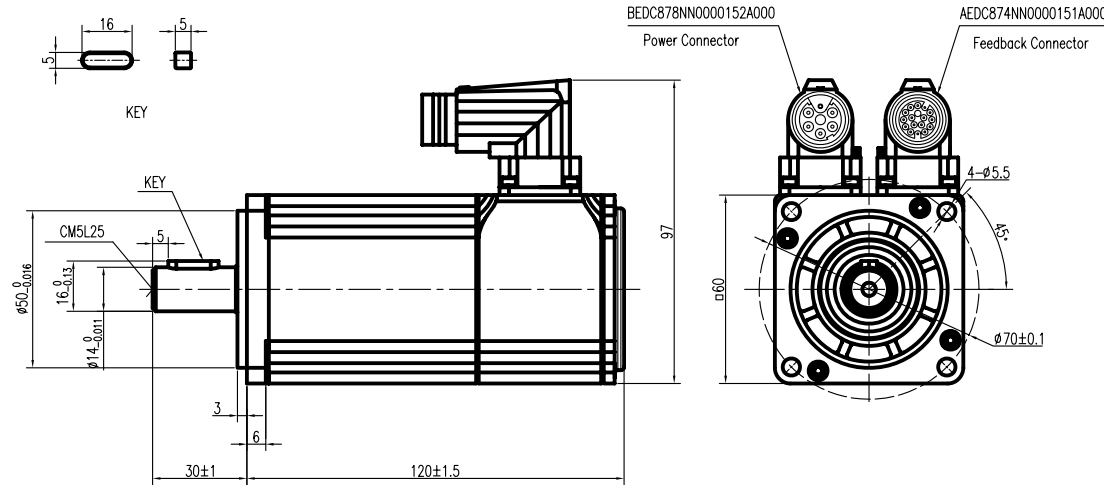
PIN	FUNCTION	COLOR	PIN	FUNCTION	COLOR
1	DC +5V	RED(28AWG)	10	/U	BROWN
2	GND	BLACK(28AWG)	11	V	WHITE/BLACK
3	A	BLUE/BLACK	12	/V	WHITE
4	/A	BLUE	13	NC	NC
5	B	GREEN	14	Z	YELLOW
6	/B	GREEN/BLACK	15	/Z	YELLOW/BLACK
7	KTY(+)	RED(26AWG)	16	W	GRAY/BLACK
8	KTY(-)	BLACK(26AWG)	17	/W	GRAY
9	U	BROWN/BLACK			



M17 17PIN

Feedback Connector



Technical Data		
No. of poles	6	
DC Link Voltage U_{dc} (DC Link)	300	
Rated Power P_n (W)	200	
Rated Torque T_n (N.m)	0.64	
Rated Speed n_n (rpm)	3000	
Rated Current I_n (A)	1.6	
Maximum torque T_m (N.m)	1.92	
Maximum Current I_m (A)	4.8	
Standstill torque T_s (N.m)	0.7	
Standstill current I_s (A)	1.76	
Resistance line-line R_l (Ω)	8.02	
Inductance line-line L_l (mH)	16.3	
Electrical time constant τ_e (ms)	2.03	
Mechanical time constant τ_m (ms)	2.26	
Voltage constant K_e (V/krpm)	29	
Torque constant K_t (Nm/A)	0.48	
Rotor moment of inertia J_m (Kg.cm ²)	0.375	
Max. voltage rising du/dt (KV/ μ s)	8	
Insulation class	F	
Max. radial force F_r (N)	180	
Max. axial force F_a (N)	90	
Weight(Kg)	1.3	
Feedback device	2500p/rev incremental encoder TS6014N115	
Temperature sensor	KTY84-130	
Cooling method	Totally enclosed non-ventilated	
protection level	IP65,shaft sealing IP54	
Environmental conditions	Temperature	-20 \sim 40 \circ C
	Humidity	Below 90%RH (No dewing)
	Environment	Far away active gas,combustible gas,oil drop,ash.
Rating conditions	Installation altitude	UP TO 1000m:rated power, above 1000m:1.5% power decreasing per 100m,max.4000m
	Mounting	Aluminum flange 255x255x6mm
	Temperature	60K housing temperature ring at 40 \circ C ambient



Kinavo® AC SERVO MOTOR
SMH60-203026ENC-30

W 200	V 220
A 1.6	Nm 0.64
RPM 3000	Ins F IP65

Kinavo Servo Motor (Changzhou) Ltd.
MADE IN CHINA
S/N: K0NMK01YYDDNNNN

REV	ECN NO.	DRN	APP'D	DATE	DESIGN	DATE	P/N.	
							K3.162.0173SS	
UNLESS OTHERWISE SPECIFIED TOLERANCES							TITLE	Outside Drawing
DECIMALS: .x \pm 0.5							USED ON	SMH60-203026ENC-30
ANGULAR: .xx \pm 0.25 \pm 0 \circ 30'							DWG NO.	
.xxx \pm 0.1							REV	A
UNIT: mm							KINAVO MOTOR	
DO NOT SCALE DRAWING							SCALE	OF
FIRST ANGLE PROJECTION					SHEET			