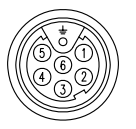


PIN	FUNCTION	COLOR
1	MOTOR U	YELLOW
2	MOTOR V	RED
3	MOTOR W	BLACK(20AWG)
4	Brake	BLACK(24AWG)
5	Brake	BLACK(24AWG)
6	NC	NC
≠	MOTOR PE ≠	YELLOW/GREEN



M17 7PIN

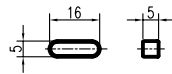
Power Connector

PIN	FUNCTION	COLOR	PIN	FUNCTION	COLOR
1	DC +5V	RED(28AWG)	10	/U	BROWN
2	GND	BLACK(28AWG)	11	V	WHITE/BLACK
3	A	BLUE/BLACK	12	/V	WHITE
4	/A	BLUE	13	NC	NC
5	B	GREEN	14	Z	YELLOW
6	/B	GREEN/BLACK	15	/Z	YELLOW/BLACK
7	KTY(+)	RED(26AWG)	16	W	GRAY/BLACK
8	KTY(-)	BLACK(26AWG)	17	/W	GRAY
9	U	BROWN/BLACK			

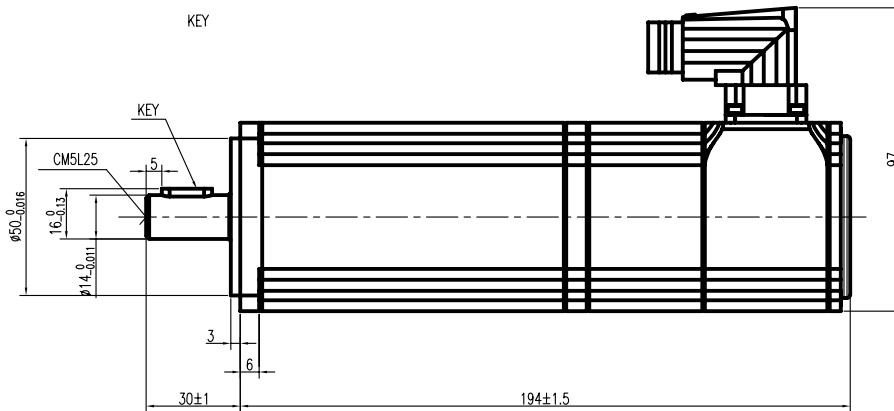


M17 17PIN

Feedback Connector

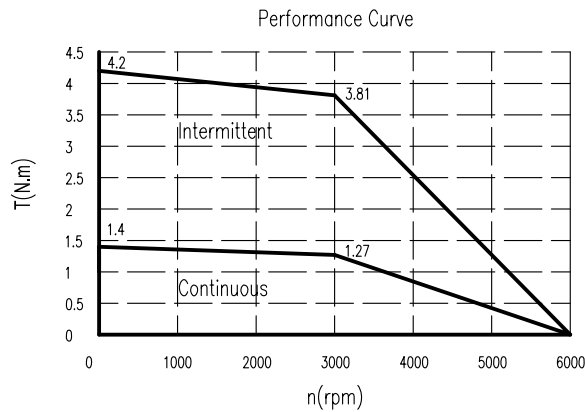
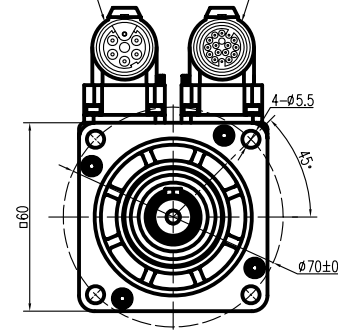


KEY



BEDC878NN0000152A000  
Power Connector

AEDC874NN0000151A000  
Feedback Connector




**Kinavo**® AC SERVO MOTOR  
SMH60-403026EBC-30

W 400	V 220
A 3.1	Nm 1.27
RPM 3000	Ins F IP65

Holding brake: 24V<sub>DC</sub> M=1.3Nm

Kinavo Servo Motor (Changzhou) Ltd.  
MADE IN CHINA  
S/N: K1BMK01YYDDNNNN



Brake Data	
Static friction	1.3N.m
Voltage	24VDC
Power	7.2w

Technical Data		
No. of poles	6	
DC Link Voltage U <sub>DC</sub> (DC Link)	300	
Rated Power P <sub>N</sub> (W)	400	
Rated Torque T <sub>N</sub> (N.m)	1.27	
Rated Speed n <sub>N</sub> (rpm)	3000	
Rated Current I <sub>N</sub> (A)	3.1	
Maximum torque T <sub>m</sub> (N.m)	3.81	
Maximum Current I <sub>m</sub> (A)	9.3	
Standstill torque T <sub>s</sub> (N.m)	1.4	
Standstill current I <sub>s</sub> (A)	3.41	
Resistance line-line R <sub>L</sub> (Ω)	3.52	
Inductance line-line L <sub>L</sub> (mH)	7.8	
Electrical time constant τ <sub>e</sub> (ms)	2.22	
Mechanical time constant τ <sub>m</sub> (ms)	1.35	
Voltage constant K <sub>v</sub> (V/krpm)	29	
Torque constant K <sub>t</sub> (Nm/A)	0.48	
Rotor moment of inertia J <sub>m</sub> (Kg.cm <sup>2</sup> )	0.514	
Max. voltage rising du/dt(KV/μs)	8	
Insulation class	F	
Max. radial force Fr(N)	180	
Max. axial force Fa(N)	90	
Weight(Kg)	2.3	
Feedback device	2500p/rev incremental encoder TS6014N115	
Temperature sensor	KTY84-130	
Cooling method	Totally enclosed non-ventilated	
protection level	IP65,shaft sealing IP54	
Environmental conditions	Temperature	-20℃~40℃
	Humidity	Below 90%RH (No dewing)
	Environment	Far away active gas,combustible gas,oil drop,ash.
Rating conditions	Installation altitude	UP TO 1000m:rated power, above 1000m:1.5% power decreasing per 100m,max.4000m
	Mounting	Aluminum flange 255x255x6mm
	Temperature	60K housing temperature ring at 40℃ ambient

REV	ECN NO.	DRN	APP'D	DATE	DESIGN	DATE	P/N.
							K3.162.0178SS
UNLESS OTHERWISE SPECIFIED TOLERANCES					MATERIAL	CONTR.	TITLE
DECIMALS: .x ±0.5							Outside Drawing
ANGULAR: .xx ±0.25 ±0°30'							USED ON
.xxx ±0.1							SMH60-403026EBC-30
UNIT: mm							DWG NO.
DO NOT SCALE DRAWING					FIRST ANGLE PROJECTION	SCALE	REV
						OF	A
							KINAVO MOTOR