

PIN	FUNCTION	COLOR
1	BRAKE (+)	RED
2	BRAKE (-)	BLUE



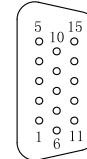
Connector Detail (Brake Wire)

PIN	FUNCTION	COLOR
1	MOTOR U	YELLOW
2	MOTOR V	RED
3	MOTOR W	BLACK
4	MOTOR PE \perp	YELLOW/GREEN



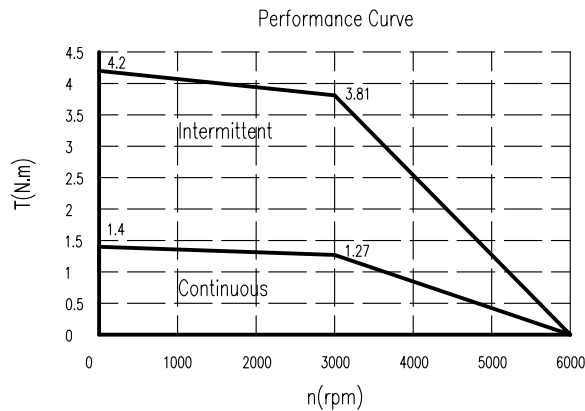
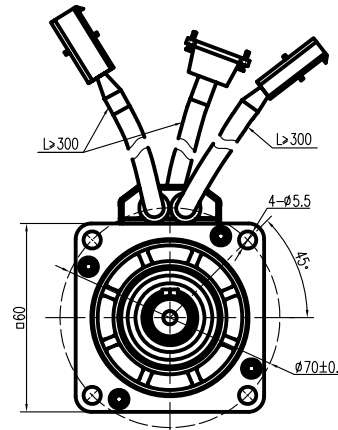
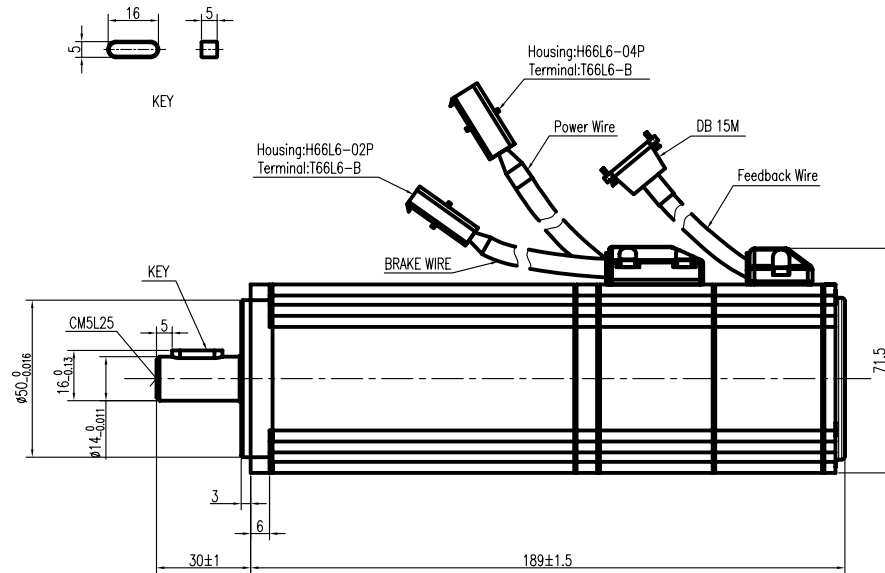
Connector Detail (Power Wire)

PIN	FUNCTION	COLOR	PIN	FUNCTION	COLOR
1	DC +5V	RED	9	W	GRAY/BLACK
2	GND	BLACK	10	V	WHITE/BLACK
3	NC	NC	11	/Z	YELLOW/BLACK
4	U	BROWN/BLACK	12	/B	GREEN/BLACK
5	/U	BROWN	13	/A	BLUE
6	Z	YELLOW	14	/W	GRAY
7	B	GREEN	15	/V	WHITE
8	A	BLUE/BLACK			



DB 15M

Connector Detail (Feedback Wire)



Kinavo® AC SERVO MOTOR
SMH60-403026EBL-30

W	400	V	220
A	3.1	Nm	1.27
RPM	3000	Ins	F
		IP	IP65

Holding brake: 24V_{DC} M=1.3Nm

Kinavo Servo Motor (Changzhou) Ltd.
MADE IN CHINA
S/N: K1BHK01YYDDNNNN

Brake Data	
Static friction	1.3N.m
Voltage	24VDC
Power	7.2w

Technical Data		
No. of poles	6	
DC Link Voltage U _{DC} (DC Link)	300	
Rated Power P _N (W)	400	
Rated Torque T _N (N.m)	1.27	
Rated Speed n _N (rpm)	3000	
Rated Current I _N (A)	3.1	
Maximum torque T _m (N.m)	3.81	
Maximum Current I _m (A)	9.3	
Standstill torque T _s (N.m)	1.4	
Standstill current I _s (A)	3.41	
Resistance line-line R _L (Ω)	3.52	
Inductance line-line L _L (mH)	7.8	
Electrical time constant τ_e (ms)	2.22	
Mechanical time constant τ_m (ms)	1.35	
Voltage constant K _v (V/krpm)	29	
Torque constant K _t (Nm/A)	0.48	
Rotor moment of inertia J _m (Kg.cm ²)	0.514	
Max. voltage rising du/dt(KV/ μ s)	8	
Insulation class	F	
Max. radial force Fr(N)	180	
Max. axial force Fa(N)	90	
Weight(Kg)	2.3	
Feedback device	2500p/rev incremental encoder TS6014N115	
Temperature sensor	n.a.	
Cooling method	Totally enclosed non-ventilated	
protection level	IP65,shaft sealing IP54	
Environmental conditions	Temperature	-20 \sim 40 \circ C
	Humidity	Below 90%RH (No dewing)
	Environment	Far away active gas,combustible gas,oil drop,ash.
Rating conditions	Installation altitude	UP TO 1000m:rated power, above 1000m:1.5% power decreasing per 100m,max.4000m
	Mounting	Aluminum flange 255x255x6mm
	Temperature	60K housing temperature ring at 40 \circ ambient

REV	ECN NO.	DRN	APP'D	DATE	DESIGN	DATE	P/N.
							K3.162.0182SS
UNLESS OTHERWISE SPECIFIED TOLERANCES					MATERIAL	CONTR.	TITLE
DECIMALS: .x \pm 0.5							Outside Drawing
ANGULAR: .xx \pm 0.25 \pm 0 \circ 30'							USED ON
.xxx \pm 0.1							SMH60-403026EBL-30
UNIT: mm							DWG NO.
DO NOT SCALE DRAWING							REV
					FIRST ANGLE PROJECTION	SCALE	A
						OF	KINAVO MOTOR