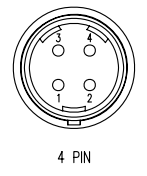


PIN	FUNCTION	COLOR
1	MOTOR PE $\neq$	YELLOW/GREEN
2	MOTOR U	YELLOW
3	MOTOR V	RED
4	MOTOR W	BLACK

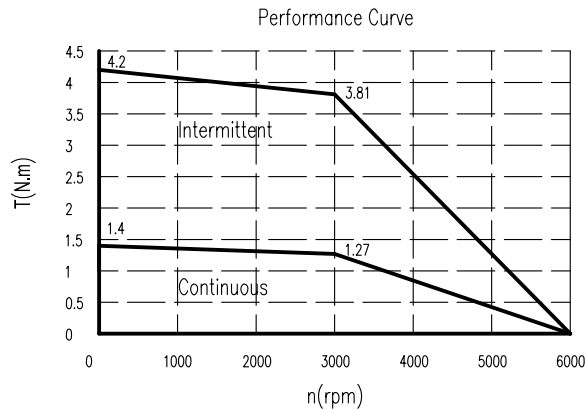
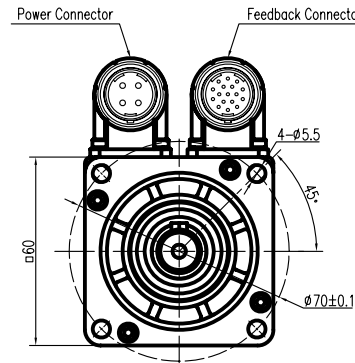
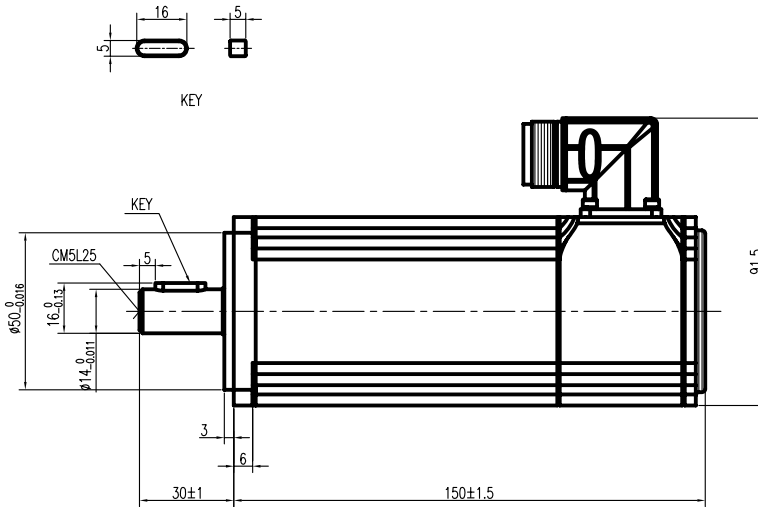


Power Connector

PIN	FUNCTION	COLOR	PIN	FUNCTION	COLOR
1	DC +5V	RED	10	/U	BROWN
2	GND	BLACK	11	V	WHITE/BLACK
3	A	BLUE/BLACK	12	/V	WHITE
4	/A	BLUE	13	NC	NC
5	B	GREEN	14	Z	YELLOW
6	/B	GREEN/BLACK	15	/Z	YELLOW/BLACK
7	NC	NC	16	W	GRAY/BLACK
8	NC	NC	17	/W	GRAY
9	U	BROWN/BLACK			





Feedback Connector



**Kinavo**® AC SERVO MOTOR  
SMH60-403026ENM-31

W 400	V 220
A 3.1	Nm 1.27
RPM 3000	Ins F IP65

Kinavo Servo Motor (Changzhou) Ltd.  
MADE IN CHINA  
S/N: K1NCK01YYDDNNNN

Technical Data		
No. of poles	6	
DC Link Voltage $U_{dc}$ (DC Link)	300	
Rated Power $P_n$ (W)	400	
Rated Torque $T_n$ (N.m)	1.27	
Rated Speed $n_n$ (rpm)	3000	
Rated Current $I_n$ (A)	3.1	
Maximum torque $T_m$ (N.m)	3.81	
Maximum Current $I_m$ (A)	9.3	
Standstill torque $T_s$ (N.m)	1.4	
Standstill current $I_s$ (A)	3.41	
Resistance line-line $R_L$ ( $\Omega$ )	3.52	
Inductance line-line $L_L$ (mH)	7.8	
Electrical time constant $\tau_e$ (ms)	2.22	
Mechanical time constant $\tau_m$ (ms)	1.35	
Voltage constant $K_e$ (V/krpm)	29	
Torque constant $K_t$ (Nm/A)	0.48	
Rotor moment of inertia $J_m$ (Kg.cm <sup>2</sup> )	0.51	
Max. voltage rising $du/dt$ (KV/ $\mu$ s)	8	
Insulation class	F	
Max. radial force $F_r$ (N)	180	
Max. axial force $F_a$ (N)	90	
Weight(Kg)	1.8	
Feedback device	2500p/rev incremental encoder TS6014N115	
Temperature sensor	n.a.	
Cooling method	Totally enclosed non-ventilated	
protection level	IP65,shaft sealing IP54	
Environmental conditions	Temperature	-20 $\sim$ 40 $\circ$ C
	Humidity	Below 90%RH (No dewing)
	Environment	Far away active gas,combustible gas,oil drop,ash.
Rating conditions	Installation altitude	UP TO 1000m:rated power, above 1000m:1.5% power decreasing per 100m,max.4000m
	Mounting	Aluminum flange 255x255x6mm
	Temperature	60K housing temperature ring at 40 $\circ$ ambient

DESIGN	DATE	P/N.	K3.162.0192SS
REV	ECN NO.	DRN	APP'D
DATE	MATERIAL	CONTR.	CHECK
UNLESS OTHERWISE SPECIFIED TOLERANCES	FIRST ANGLE PROJECTION		
DECIMALS: .x $\pm 0.5$	SCALE		
ANGULAR: .xx $\pm 0.25$	SHEET OF		
.xxx $\pm 0.1$	USED ON		
UNIT: mm	SMH60-403026ENM-31		
DO NOT SCALE DRAWING	DWG NO.		
	REV A		
	KINAVO MOTOR		