


PIN	FUNCTION	COLOR
1	MOTOR U	YELLOW
2	MOTOR V	RED
3	MOTOR W	BLACK
4	NC	NC
5	NC	NC
6	NC	NC
≠	MOTOR PE ≠	YELLOW/GREEN



M17 7PIN

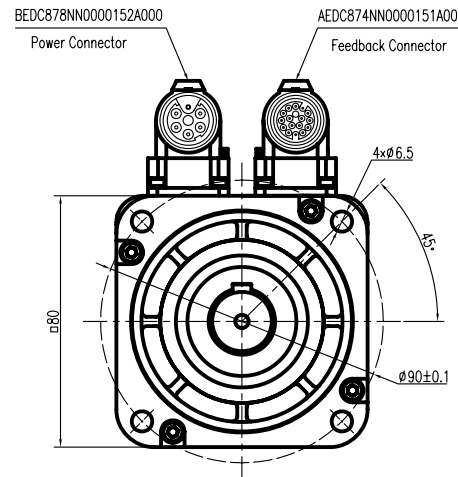
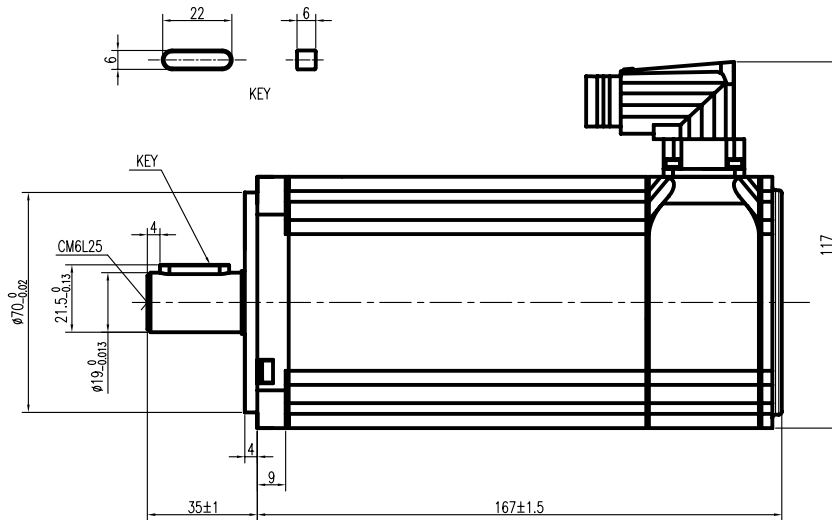
Power Connector

PIN	FUNCTION	COLOR	PIN	FUNCTION	COLOR
1	DC +5V	RED(28AWG)	10	/U	BROWN
2	GND	BLACK(28AWG)	11	V	WHITE/BLACK
3	A	BLUE/BLACK	12	/V	WHITE
4	/A	BLUE	13	NC	NC
5	B	GREEN	14	Z	YELLOW
6	/B	GREEN/BLACK	15	/Z	YELLOW/BLACK
7	KTY(+)	RED(26AWG)	16	W	GRAY/BLACK
8	KTY(-)	BLACK(26AWG)	17	/W	GRAY
9	U	BROWN/BLACK			



M17 17PIN


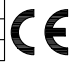
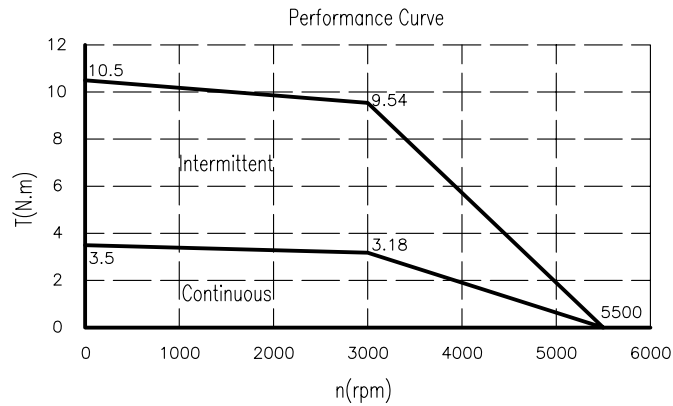
Feedback Connector



Kinavo® AC SERVO MOTOR
SMH80-1003026ENC-30

W	1000	V	220
A	6.3	Nm	3.18
RPM	3000	Ins	F IP65

Kinavo Servo Motor (Changzhou) Ltd.
MADE IN CHINA
S/N: K3NMK01YYDDNNNN

Technical Data		
No. of poles	6	
DC Link Voltage U_{dc} (DC Link)	300	
Rated Power P_n (W)	1000	
Rated Torque T_n (N.m)	3.18	
Rated Speed n_n (rpm)	3000	
Rated Current I_n (A)	6.3	
Maximum torque T_m (N.m)	9.54	
Maximum Current I_m (A)	18.9	
Standstill torque T_s (N.m)	3.5	
Standstill current I_s (A)	6.93	
Resistance line-line R_L (Ω)	0.86	
Inductance line-line L_L (mH)	4.5	
Electrical time constant τ_e (ms)	5.23	
Mechanical time constant τ_m (ms)	0.89	
Voltage constant K_e (V/krpm)	34	
Torque constant K_t (Nm/A)	0.562	
Rotor moment of inertia J_m (Kg.cm ²)	1.9	
Max. voltage rising du/dt (KV/ μ s)	8	
Insulation class	F	
Max. radial force F_r (N)	335	
Max. axial force F_a (N)	167.5	
Weight(Kg)	3.9	
Feedback device	2500p/rev incremental encoder TS6014N115	
Temperature sensor	KTY84-130	
Cooling method	Totally enclosed non-ventilated	
protection level	IP65,shaft sealing IP54	
Environmental conditions	Temperature	-20℃~40℃
	Humidity	Below 90%RH (No dewing)
	Environment	Far away active gas,combustible gas,oil drop,ash.
Rating conditions	Installation altitude	UP TO 1000m:rated power, above 1000m:1.5% power decreasing per 100m,max.4000m
	Mounting	Aluminum flange 255x255x6mm
	Temperature	60K housing temperature ring at 40℃ ambient

DESIGN	DATE	P/N.	K3.162.5127SS
REV	ECN NO.	DRN	APP'D
UNLESS OTHERWISE SPECIFIED TOLERANCES		MATERIAL	CONTR.
DECIMALS: ANGULAR:		CHECK	
.x	±0.5	APPD	
.xx	±0.25		
.xxx	±0.1	FIRST ANGLE PROJECTION	SCALE
UNIT: mm			SHEET OF
DO NOT SCALE DRAWING			
		TITLE	Outside Drawing
		USED ON	SMH80-1003026ENC-30
		DWG NO.	REV A
		KINAVO MOTOR	