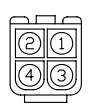


PIN	FUNCTION	COLOR
1	BRAKE (+)	RED
2	BRAKE (-)	BLUE



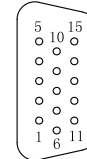
Connector Detail (Brake Wire)

PIN	FUNCTION	COLOR
1	MOTOR U	YELLOW
2	MOTOR V	RED
3	MOTOR W	BLACK
4	MOTOR PE	YELLOW/GREEN



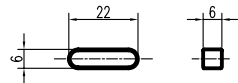
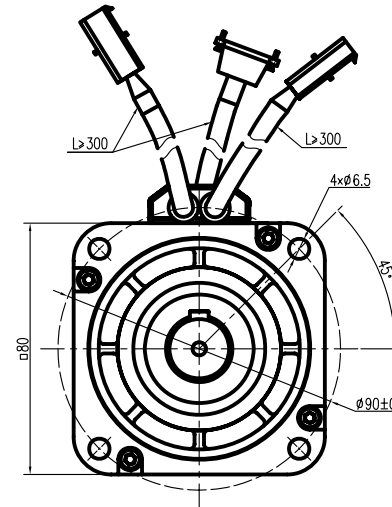
Connector Detail (Power Wire)

PIN	FUNCTION	COLOR	PIN	FUNCTION	COLOR
1	DC +5V	RED	9	W	GRAY/BLACK
2	GND	BLACK	10	V	WHITE/BLACK
3	NC	NC	11	/Z	YELLOW/BLACK
4	U	BROWN/BLACK	12	/B	GREEN/BLACK
5	/U	BROWN	13	/A	BLUE
6	Z	YELLOW	14	/W	GRAY
7	B	GREEN	15	/V	WHITE
8	A	BLUE/BLACK			

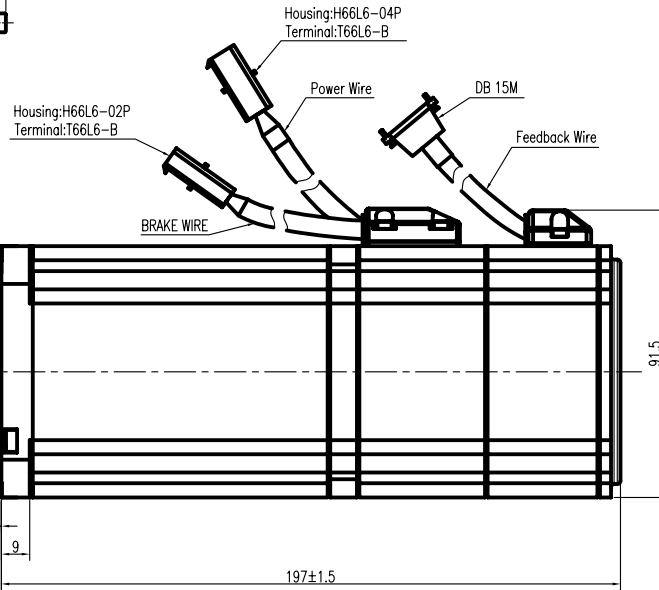


DB 15M

Connector Detail (Feedback Wire)

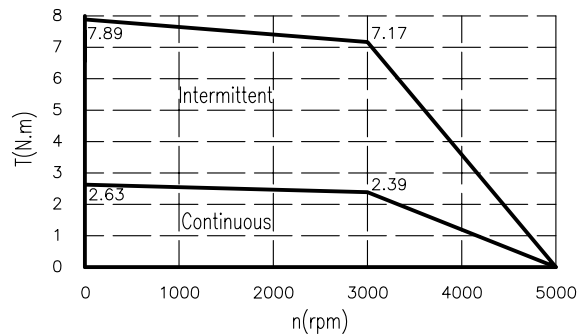


KEY



KEY

Performance Curve



Kinavo® AC SERVO MOTOR
SMH80-753026EBL-30

W 750	V 220
A 3.9	Nm 2.39
RPM 3000	Ins F IP65

Holding brake: 24V_{DC} M=3.2Nm

Kinavo Servo Motor (Changzhou) Ltd.
MADE IN CHINA
S/N: K2BHK01YDDNNNN

Brake Data

Static friction	3.2N.m
Voltage	24VDC
Power	11.5w

Technical Data

No. of poles	6	
DC Link Voltage U _{DC} (DC Link)	300	
Rated Power P _N (W)	750	
Rated Torque T _N (N.m)	2.39	
Rated Speed n _N (rpm)	3000	
Rated Current I _N (A)	3.9	
Maximum torque T _m (N.m)	7.17	
Maximum Current I _m (A)	11.7	
Standstill torque T _s (N.m)	2.63	
Standstill current I _s (A)	4.29	
Resistance line-line R _L (a)	1.4	
Inductance line-line L _L (mH)	7.5	
Electrical time constant τ _e (ms)	5.35	
Mechanical time constant τ _m (ms)	0.75	
Voltage constant K _e (V/krpm)	40	
Torque constant K _t (Nm/A)	0.662	
Rotor moment of inertia J _m (Kg.cm ²)	1.385	
Max. voltage rising du/dt(KV/μs)	8	
Insulation class	F	
Max. radial force Fr(N)	335	
Max. axial force Fa(N)	167.5	
Weight(Kg)	4	
Feedback device	2500p/rev incremental encoder TS6014N115	
Temperature sensor	n.a.	
Cooling method	Totally enclosed non-ventilated	
protection level	IP65,shaft sealing IP54	
Environmental conditions	Temperature	-20℃~40℃
	Humidity	Below 90%RH (No dewing)
	Environment	Far away active gas,combustible gas,oil drop,ash.
Rating conditions	Installation altitude	UP TO 1000m:rated power, above 1000m:1.5% power decreasing per 100m,max.4000m
	Mounting	Aluminum flange 255x255x6mm
	Temperature	60K housing temperature ring at 40℃ ambient

DESIGN	DATE	P/N.	K3.162.5131SS
REV	ECN NO.	DRN	APP'D
UNLESS OTHERWISE SPECIFIED TOLERANCES		MATERIAL	CONTR.
DECIMALS: .x ±0.5 .xx ±0.25 .xxx ±0.1		CHECK	
ANGULAR: ±0°30'		APPD	
UNIT: mm		FIRST ANGLE PROJECTION	SCALE
DO NOT SCALE DRAWING			SHEET OF
		USED ON	SMH80-753026EBL-30
		DWG NO.	REV A
		KINAVO MOTOR	