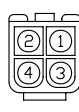


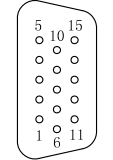
PIN	FUNCTION	COLOR
1	MOTOR U	YELLOW
2	MOTOR V	RED
3	MOTOR W	BLACK
4	MOTOR PE \pm	YELLOW/GREEN



Housing:H66L6-04P
Terminal:T66L6-B

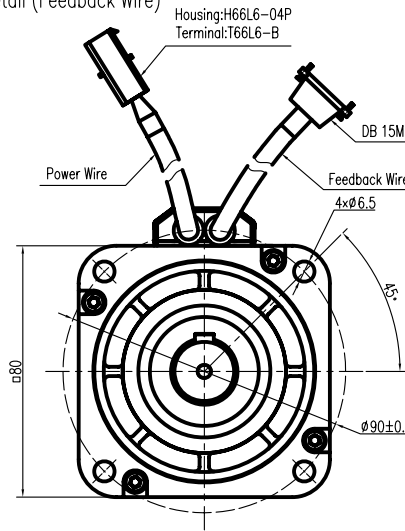
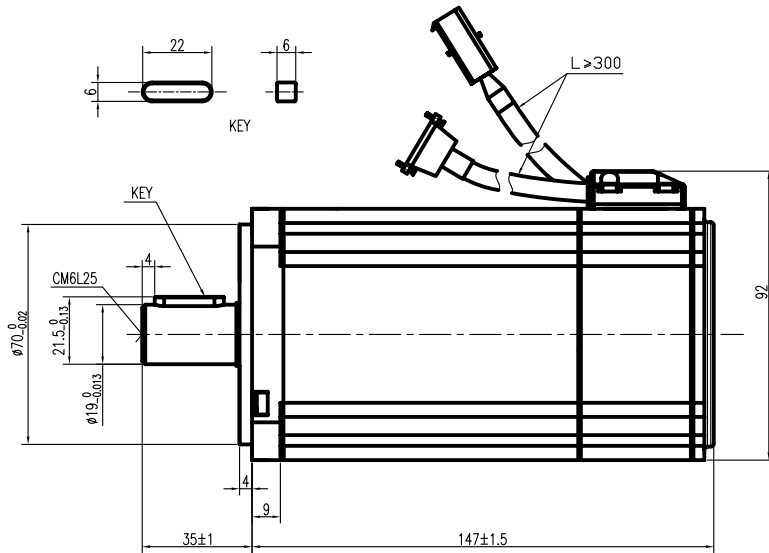
Connector Detail (Power Wire)

PIN	FUNCTION	COLOR	PIN	FUNCTION	COLOR
1	DC +5V	RED	9	W	GRAY/BLACK
2	GND	BLACK	10	V	WHITE/BLACK
3	NC	NC	11	/Z	YELLOW/BLACK
4	U	BROWN/BLACK	12	/B	GREEN/BLACK
5	/U	BROWN	13	/A	BLUE
6	Z	YELLOW	14	/W	GRAY
7	B	GREEN	15	/V	WHITE
8	A	BLUE/BLACK			



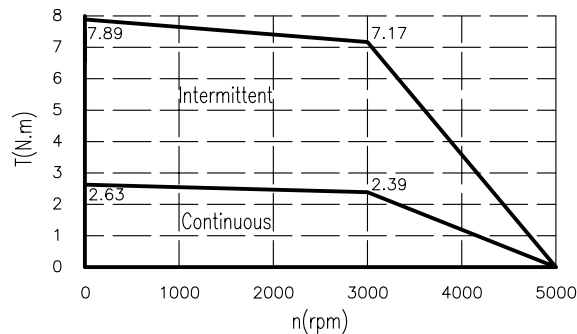
DB 15M

Connector Detail (Feedback Wire)



Technical Data		
No. of poles	6	
DC Link Voltage U_{dc} (DC Link)	300	
Rated Power P_n (W)	750	
Rated Torque T_n (N.m)	2.39	
Rated Speed n_n (rpm)	3000	
Rated Current I_n (A)	3.9	
Maximum torque T_m (N.m)	7.17	
Maximum Current I_m (A)	11.7	
Standstill torque T_s (N.m)	2.63	
Standstill current I_s (A)	4.29	
Resistance line-line R_l (Ω)	1.4	
Inductance line-line L_l (mH)	7.5	
Electrical time constant τ_e (ms)	5.35	
Mechanical time constant τ_m (ms)	0.75	
Voltage constant K_e (V/krpm)	40	
Torque constant K_t (Nm/A)	0.662	
Rotor moment of inertia J_m (Kg.cm ²)	1.36	
Max. voltage rising du/dt (KV/ μ s)	8	
Insulation class	F	
Max. radial force F_r (N)	335	
Max. axial force F_a (N)	167.5	
Weight(Kg)	3.3	
Feed back device	2500p/rev incremental encoder TS6014N115	
Temperature sensor	n.a.	
Cooling method	Totally enclosed non-ventilated	
protection level	IP65,shaft sealing IP54	
Environmental conditions	Temperature	-20 \sim 40 \circ C
	Humidity	Below 90%RH (No dewing)
	Environment	Far away active gas,combustible gas,oil drop,ash.
Rating conditions	Installation altitude	UP TO 1000m:rated power, above 1000m:1.5% power decreasing per 100m,max.4000m
	Mounting	Aluminum flange 255x255x6mm
	Temperature	60K housing temperature ring at 40 \circ C ambient



Performance Curve



Kinavo® AC SERVO MOTOR
SMH80-753026ENL-30

W 750	V 220
A 3.9	Nm 2.39
RPM 3000	Ins F IP65

Kinavo Servo Motor (Changzhou) Ltd.
MADE IN CHINA
S/N: K2NHK01YDDDDNNNN

REV	ECN NO.	DRN	APP'D	DATE	DESIGN	DATE	P/N.
							K3.162.5130SS
UNLESS OTHERWISE SPECIFIED TOLERANCES					MATERIAL	CONTR.	TITLE
DECIMALS: .x \pm 0.5							Outside Drawing
ANGULAR: .xx \pm 0.25 \pm 0°30'							USED ON
.xxx \pm 0.1							SMH80-753026ENL-30
UNIT: mm							DWG NO.
DO NOT SCALE DRAWING							REV
					FIRST ANGLE PROJECTION	SCALE	A
						OF	KINAVO MOTOR