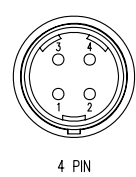


PIN	FUNCTION	COLOR
1	MOTOR PE \pm	YELLOW/GREEN
2	MOTOR U	YELLOW
3	MOTOR V	RED
4	MOTOR W	BLACK



4 PIN

Power Connector

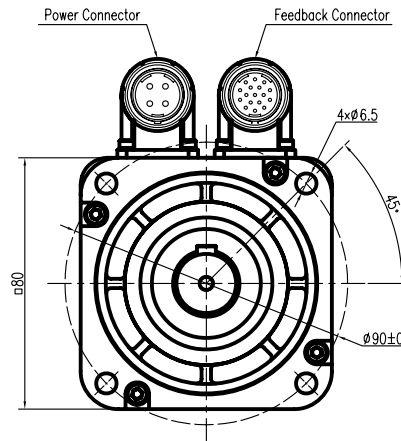
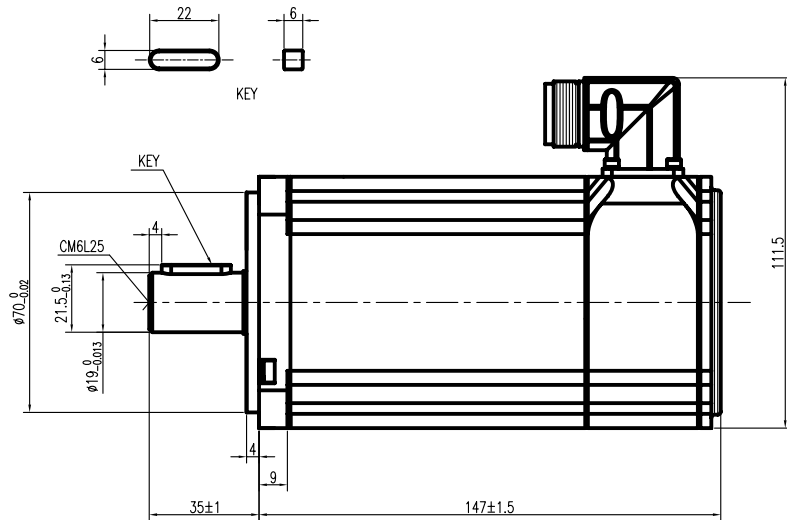
PIN	FUNCTION	COLOR	PIN	FUNCTION	COLOR
1	DC +5V	RED(28AWG)	10	/U	BROWN
2	GND	BLACK(28AWG)	11	V	WHITE/BLACK
3	A	BLUE/BLACK	12	/V	WHITE
4	/A	BLUE	13	NC	NC
5	B	GREEN	14	Z	YELLOW
6	/B	GREEN/BLACK	15	/Z	YELLOW/BLACK
7	KTY(+)	RED(26AWG)	16	W	GRAY/BLACK
8	KTY(-)	BLACK(26AWG)	17	/W	GRAY
9	U	BROWN/BLACK			



17 PIN

Feedback Connector



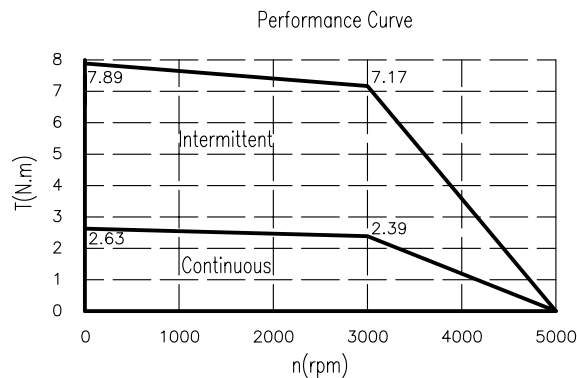
Technical Data		
No. of poles	6	
DC Link Voltage U_{dc} (DC Link)	300	
Rated Power P_N (W)	750	
Rated Torque T_N (N.m)	2.39	
Rated Speed n_n (rpm)	3000	
Rated Current I_N (A)	3.9	
Maximum torque T_m (N.m)	7.17	
Maximum Current I_m (A)	11.7	
Standstill torque T_s (N.m)	2.63	
Standstill current I_s (A)	4.29	
Resistance line-line R_L (Ω)	1.4	
Inductance line-line L_L (mH)	7.5	
Electrical time constant τ_e (ms)	5.35	
Mechanical time constant τ_m (ms)	0.75	
Voltage constant K_e (V/krpm)	40	
Torque constant K_t (Nm/A)	0.662	
Rotor moment of inertia J_m (Kg.cm ²)	1.36	
Max. voltage rising du/dt (KV/ μ s)	8	
Insulation class	F	
Max. radial force F_r (N)	335	
Max. axial force F_a (N)	167.5	
Weight(Kg)	3.3	
Feedback device	2500p/rev incremental encoder TS6014N115	
Temperature sensor	KTY84-130	
Cooling method	Totally enclosed non-ventilated	
protection level	IP65,shaft sealing IP54	
Environmental conditions	Temperature	-20 \sim 40 \circ C
	Humidity	Below 90%RH (No dewing)
	Environment	Far away active gas,combustible gas,oil drop,ash.
Rating conditions	Installation altitude	UP TO 1000m:rated power, above 1000m:1.5% power decreasing per 100m,max.4000m
	Mounting	Aluminum flange 255x255x6mm
	Temperature	60K housing temperature ring at 40 \circ C ambient

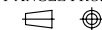


Kinavo [®] AC SERVO MOTOR
SMH80-753026ENM-30

W 750	V 220
A 3.9	Nm 2.39
RPM 3000	Ins F IP65

Kinavo Servo Motor (Changzhou) Ltd.
MADE IN CHINA
S/N: K2NCK01YDDDDNNNN

REV	ECN NO.	DRN	APP'D	DATE	DESIGN	DATE	P/N.
							K3.162.5125SS
UNLESS OTHERWISE SPECIFIED TOLERANCES					MATERIAL	CONTR.	TITLE
DECIMALS: .x \pm 0.5							Outside Drawing
ANGULAR: .xx \pm 0.25 \pm 0 $^{\circ}$ 30'							USED ON
.xxx \pm 0.1							SMH80-753026ENM-30
UNIT: mm							DWG NO.
DO NOT SCALE DRAWING							REV
					FIRST ANGLE PROJECTION	SCALE	A
						SHEET	
						OF	KINAVO MOTOR