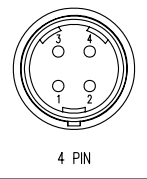


| PIN | FUNCTION       | COLOR        |
|-----|----------------|--------------|
| 1   | MOTOR PE $\pm$ | YELLOW/GREEN |
| 2   | MOTOR U        | YELLOW       |
| 3   | MOTOR V        | RED          |
| 4   | MOTOR W        | BLACK        |



4 PIN

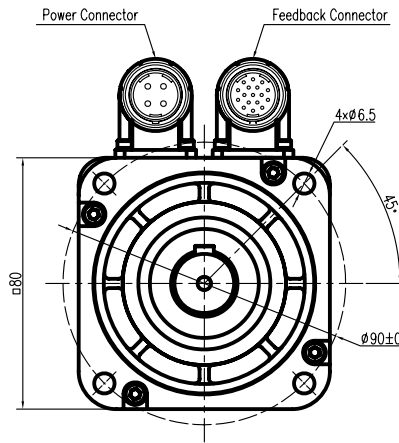
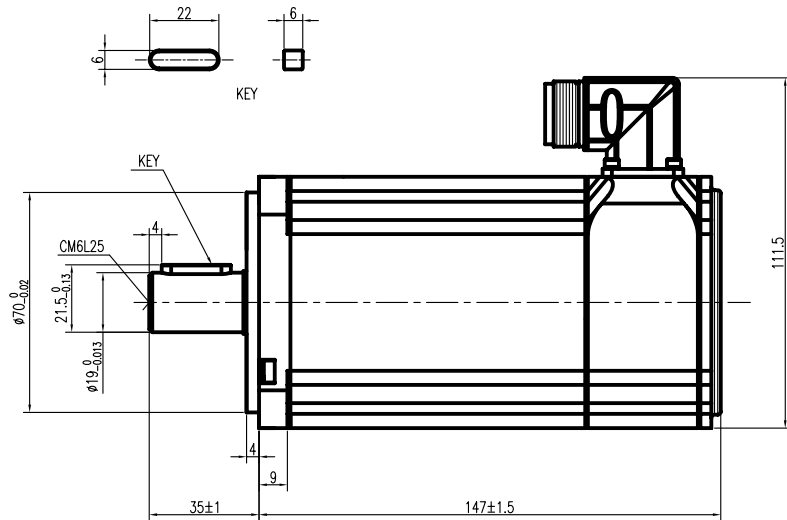
Power Connector

| PIN | FUNCTION | COLOR       | PIN | FUNCTION | COLOR        |
|-----|----------|-------------|-----|----------|--------------|
| 1   | DC +5V   | RED         | 10  | /U       | BROWN        |
| 2   | GND      | BLACK       | 11  | V        | WHITE/BLACK  |
| 3   | A        | BLUE/BLACK  | 12  | /V       | WHITE        |
| 4   | /A       | BLUE        | 13  | NC       | NC           |
| 5   | B        | GREEN       | 14  | Z        | YELLOW       |
| 6   | /B       | GREEN/BLACK | 15  | /Z       | YELLOW/BLACK |
| 7   | NC       | NC          | 16  | W        | GRAY/BLACK   |
| 8   | NC       | NC          | 17  | /W       | GRAY         |
| 9   | U        | BROWN/BLACK |     |          |              |

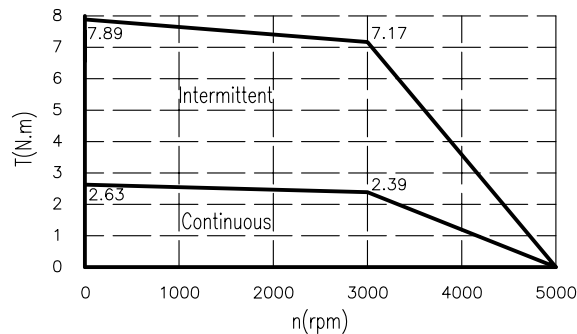


17 PIN

Feedback Connector





Performance Curve



**Kinavo**® AC SERVO MOTOR  
SMH80-753026ENM-31

|          |            |
|----------|------------|
| W 750    | V 220      |
| A 3.9    | Nm 2.39    |
| RPM 3000 | Ins F IP65 |

Kinavo Servo Motor (Changzhou) Ltd.  
MADE IN CHINA  
S/N: K2NCK01YDDDNNNN

| Technical Data                                      |   |   |
|---|---|---|
| No. of poles  | 6   |   |
| DC Link Voltage $U_{dc}$ (DC Link)                  | 300   |   |
| Rated Power $P_N$ (W)                               | 750   |   |
| Rated Torque $T_N$ (N.m)                            | 2.39  |   |
| Rated Speed $n_n$ (rpm)                             | 3000  |   |
| Rated Current $I_N$ (A)                             | 3.9   |   |
| Maximum torque $T_m$ (N.m)                          | 7.17  |   |
| Maximum Current $I_m$ (A)                           | 11.7  |   |
| Standstill torque $T_s$ (N.m)                       | 2.63  |   |
| Standstill current $I_s$ (A)                        | 4.29  |   |
| Resistance line-line $R_L$ ( $\Omega$ )             | 1.4   |   |
| Inductance line-line $L_L$ (mH)                     | 7.5   |   |
| Electrical time constant $\tau_e$ (ms)              | 5.35  |   |
| Mechanical time constant $\tau_m$ (ms)              | 0.75  |   |
| Voltage constant $K_e$ (V/krpm)                     | 40  |   |
| Torque constant $K_t$ (Nm/A)                        | 0.662                                       |   |
| Rotor moment of inertia $J_m$ (Kg.cm <sup>2</sup> ) | 1.36  |   |
| Max. voltage rising $du/dt$ (KV/ $\mu$ s)           | 8   |   |
| Insulation class                                    | F   |   |
| Max. radial force $F_r$ (N)                         | 335   |   |
| Max. axial force $F_a$ (N)                          | 167.5                                       |   |
| Weight(Kg)  | 3.3   |   |
| Feedback device                                     | 2500p/rev incremental encoder<br>TS6014N115 |   |
| Temperature sensor                                  | n.a.  |   |
| Cooling method                                      | Totally enclosed non-ventilated             |   |
| protection level                                    | IP65,shaft sealing IP54                     |   |
| Environmental conditions                            | Temperature                                 | -20 $\sim$ 40 $\circ$ C   |
|   | Humidity                                    | Below 90%RH (No dewing)   |
|   | Environment                                 | Far away active gas,combustible gas,oil drop,ash.                                   |
| Rating conditions                                   | Installation altitude                       | UP TO 1000m:rated power,<br>above 1000m:1.5% power<br>decreasing per 100m,max.4000m |
|   | Mounting                                    | Aluminum flange 255x255x6mm   |
|   | Temperature                                 | 60K housing temperature ring at 40 $\circ$ C ambient                                |

|                                       |                        |        |               |
|---------------------------------------|------------------------|--------|---------------|
| DESIGN                                | DATE                   | P/N.   | K3.162.5139SS |
| REV                                   | ECN NO.                | DRN    | APP'D         |
| DATE                                  | MATERIAL               | CONTR. | CHECK         |
| UNLESS OTHERWISE SPECIFIED TOLERANCES | FIRST ANGLE PROJECTION |        | SCALE         |
| DECIMALS: .x $\pm$ 0.5                | UNIT: mm               |        | SHEET         |
| ANGULAR: .xx $\pm$ 0.25 $\pm$ 0°30'   | DO NOT SCALE DRAWING   |        | OF            |
| .xxx $\pm$ 0.1                        |                        |        |               |
| USED ON                               | DWG NO.                |        | REV           |
| SMH80-753026ENM-31                    |                        |        | A             |
| KINAVO MOTOR                          |                        |        |               |